

CONTRL Syntax and service report message
Recommendation of Swiss Financial Institutions
for the use of the UN/EDIFACT-Message

Version 1.1 from 16.05.2002

Table of contents

1	INTRODUCTION	4
1.1	Introduction	4
1.2	Functional Definition	4
1.3	Principles	5
1.3.1	Swiss recommendation for the CONTRL	6
2	MESSAGE LAYOUT	7
2.1	Message Structure	7
2.2	Branching Diagram	8
3	SEGMENT LAYOUT	9
3.1	Introduction	9
3.2	Segment Layout CONTRL message	10
4	EXAMPLES	18
4.1	Example CONTRL interchange acknowledgement	18
4.2	Example CONTRL interchange rejection	18
4.3	Example CONTRL interchange receipt	19

5 HISTORY OF CHANGES	20
5.1 History of changes	20
Annex A: Use of error codes	21

CONTRL Syntax and service report message Recommendation of Swiss Financial Institutions for the use of the UN/EDIFACT Message

1 INTRODUCTION

This document is to be used together with the „Generic Implementation Information, Recommendation of Swiss Financial Institutions for the use of the UN/EDIFACT-Messages“.

This document is based on

Title	Version	Remarks	Source
Generic Implementation Information, Recommendation of Swiss Financial Institutions for the use of the UN/EDIFACT-Messages including Swiss Interbank Clearing- and Swiss Postfinance UN/EDIFACT Code lists.	Version 1.1		http://www.sic.ch
UNITED NATIONS ECONOMIC COMMISSION FOR EUROPE „EDIFACT - Application level syntax rules“ Part 4 „Syntax and service report message for batch EDI (message type CONTRL) (Submitted by the Syntax Development Group)“	Syntax Version 4	R.1244/Rev.1	
UNITED NATIONS TRADE DATA INTERCHANGE DIRECTORY (UNTDID)	Latest available code list	UNCL (code list) only	http://www.unece.org/trade/untdid

1.1 Introduction

This specification provides the definition of the syntax and service report message „CONTRL“ to be used in Electronic Data Interchange (EDI) between trading partners involved in administration, commerce and transport.

The CONTRL message that is defined in this document is based on UN/EDIFACT syntax version 2, the usage (functional definition, principles) and codelists are used from the UN/EDIFACT syntax version 4. The CONTRL defined in UN/EDIFACT syntax version 2 is not used here because the UNH segment in syntax version 4 differs from the UNH-Segment defined in the syntax version 2 which is used today in the exchange of financial EDIFACT messages.

1.2 Functional Definition

CONTRL is a message syntactically acknowledging or rejecting, with error indication, a received interchange, group, message, or package. A CONTRL message shall be used to:

- acknowledge or reject a received interchange, group, message, or package and list any syntactical errors or unsupported functionality contained therein, or
- indicate only the receipt of an interchange.

1.3 Principles

Support for submission and receipt of the CONTRL message type shall be agreed between partners, as shall the functionalities to be supported. Support for receipt of CONTRL messages shall be indicated either by the acknowledgement request in the subject interchange UNB segment or in an interchange agreement.

The sender (A) of an EDIFACT interchange can in segment UNB request a response from the recipient (B) that the interchange has been received, is syntactically correct, that the service segments are semantically correct and that the recipient supports those functions requested in the service segments. Alternatively, the request can be specified in an Interchange Agreement (IA) between the interchanging partners.

The interchange sent from A to B is called the subject interchange.

The response shall be sent from the recipient (B) of the subject interchange to the sender of the subject interchange (A) as one or two CONTRL messages.

A CONTRL message provides:

- indication of the action taken by the recipient as the result of a syntactical check of the subject interchange, or alternatively,
- only indication of interchange receipt.

In the first case, the action (acknowledgement or rejection) indicates the result of a syntactical check of the complete received interchange. An action may be indicated for the complete interchange, or it may be indicated for individual parts of it. Thus, some messages, packages, or groups may be acknowledged and others may be rejected. The CONTRL message shall indicate the action for all parts of the subject interchange.

In the second case, there is indication of interchange receipt only.

During a syntactical check, the interchange, or part of it, shall be checked for compliance with:

- the EDIFACT syntax rules (ISO 9735), including rules for use of service segments and
- the syntactical aspects in specifications for the message type(s) received.

CONTRL shall not be used to report errors, or the action taken, at the application level, i.e. reports related to the semantic information contained in user segments. Thus, acknowledgement indicated by means of CONTRL does not imply that the business content of a message or package has been accepted or can be complied with.

A recipient may choose to acknowledge an interchange, or part of it, even if it contains syntactical errors. These errors may also be reported. The definition of a non-fatal error shall be determined by the recipient. The recipient may for example, choose to acknowledge a data element exceeding the specified maximum length.

An interchange containing a CONTRL message generated by the recipient of the subject interchange shall contain the same sender and receiver identifications in its UNB segment as was in the subject interchange, only reversed.

Partners may agree that a CONTRL message rejecting an erroneous subject interchange, or part of it, shall always be sent even if acknowledgement has not been requested in the subject interchange UNB segment.

A CONTRL message shall never be sent in a group.

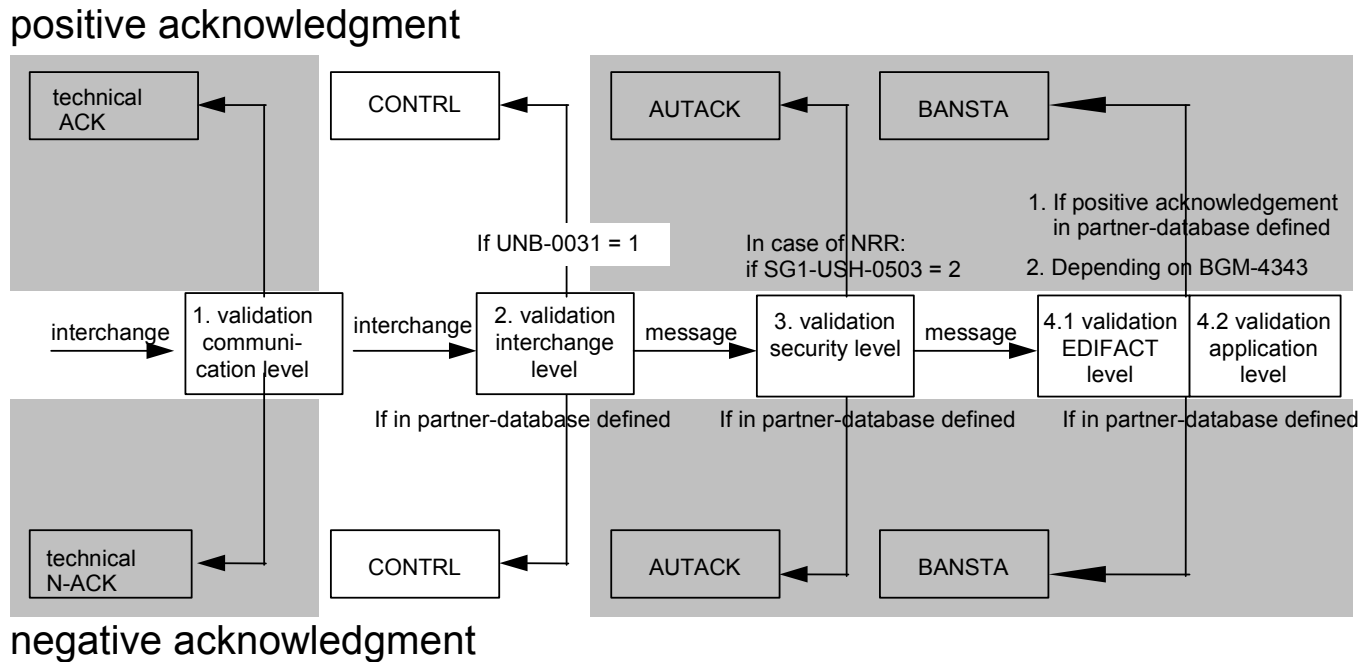
Source chapter 1.1 - 1.3: UN/EDIFACT syntax version 2

1.3.1 Swiss recommendation for the CONTRL

The Swiss Financial Institution will use the CONTRL

- to acknowledge or reject a received interchange or
- to acknowledge a received interchange but reject messages within the interchange (see also Annex A “Use of error codes”)

and to list any syntactical errors contained therein. The CONTRL will not be used for groups and packages.



To prevent endless requests and replies, it is not recommended to reply the service message CONTRL with a CONTRL.

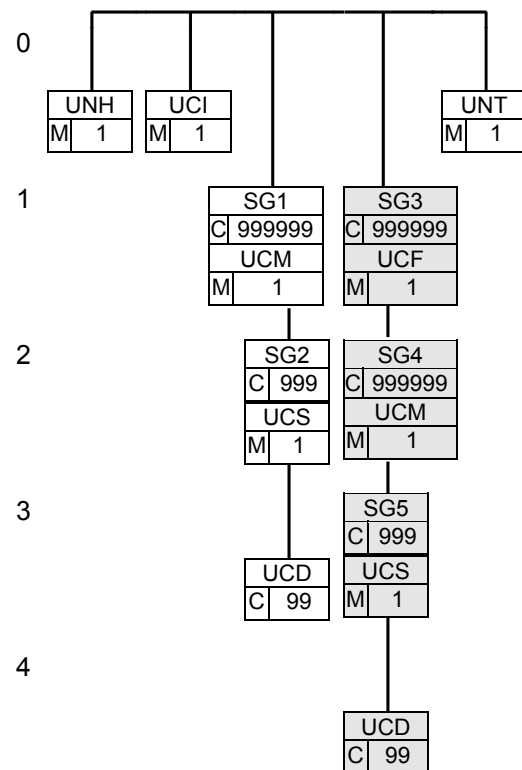
2 MESSAGE LAYOUT

2.1 Message Structure

UNH	M	1	Message header
UCI	M	1	Interchange response
SG1	C	999999	UCM-SG2
UCM	M	1	Message response
SG2	C	999	UCS-UCD
UCS	M	1	Segment error indication
UCD	C	99	Data element error indication
SG3	C	999999	UCF-SG4
UCF	M	1	Functional group response
SG4	C	999999	UCM-SG5
UCM	M	1	Message response
SG5	C	999	UCS-UCD
UCS	M	1	Segment error indication
UCD	C	99	Data element error indication
UNT	M	1	Message trailer

2.2 Branching Diagram

It is not foreseen to use the CONTRL as a response to a group. The use of the marked segments is not recommended, these segments are **not** described in the chapter „Segment Layout“.



3 SEGMENT LAYOUT

3.1 Introduction

This section describes each segment of the UN/EDIFACT message CONTRL. The segments are presented in the sequence in which they appear in the message.

- The segment or segment group tag is followed by the (M)andatory / (C)onditional indicator, the maximum number of occurrences and the segment description.
- The left side of the following table constitutes information from the original UN/EDIFACT Directory (data element number, description, M/C and format).
- In the center are the recommendations of Swiss Financial Institutions and Swiss Post (type, „*“ and remarks).
- It is planned, that the right side of the table („Comment“) will consist in a later version additional comments from the different Financial institutions and Swiss Post.

In the column „Type“ for simple and composite data elements with a (C)onditional UN/EDIFACT status are the following sub-status defined:

R	REQUIRED	Indicates that the entity is required and must be sent
D	DEPENDENT	Indicates, that the entity must be sent in certain conditions, as defined by the relevant explanatory note
O	OPTIONAL	Indicates that the entity is optional and may be sent at the discretion of the user
N	NOT USED	Indicates that the entity is not used and should be omitted

If a composite is flagged as „N“, all data elements within that composite will have blank status indicators.

The column „*“ indicates

- if code values are restricted to the values given in the list („*“) and
- if one specific code out of either an open or restricted code list is required („R“)
- if code values must occur in certain conditions, as defined by the relevant explanatory note

(blank)	Open codelist	The use of code values which are not preceded by an asterisk (*) are not restricted (<i>open</i>). The available codes are listed in the codelist of the corresponding UN/EDIFACT directory.
*	Restricted codelist	Code values preceded by an asterisk (*) are the only codes available for use in the given context (<i>restricted choice</i>).
R	Required code out of open list	Codes preceded by an „R“ are required and must occur in one repetition of the corresponding segment if it is used.
*R	Required code out of restricted list	Codes preceded by an „R“ are required and must occur in one repetition of the corresponding segment if it is used.
D	Dependent code out of open list	Codes preceded by an „D“ must occur in certain conditions, as defined by the relevant explanatory note.
*D	Dependent code out of restricted list	Codes preceded by an „D“ must occur in certain conditions, as defined by the relevant explanatory note.

**CONTRL Syntax and service report message
Recommendation of Swiss Financial Institutions
for the use of the UN/EDIFACT Message**

3.2 Segment Layout CONTRL message

UNH		MESSAGE HEADER				Segment No.	1	Segment Level
M	1	UN/EDIFACT Directory			M	1	CH-MIG	Comment
<p>A service segment starting and uniquely identifying a message. The message type code for Syntax and service report message is CONTRL. Note: Syntax and service report messages conforming to this document must contain the following data in segment UNH, composite S009 Data element 0065 CONTRL 0052 2 0054 1 or 2 0051 UN</p>								
Number	Description	M/C	Format	Type	*	Description	Comment	
0062	MESSAGE REFERENCE NUMBER	M	an..14	M		Identification of a message by a unique reference. The message reference must be allocated in ascending sequence within an interchange (e.g. the first message sent is 1, the second 2, etc.), but it need not be consecutive.		
S009	MESSAGE IDENTIFIER	M		M				
0065	Message type	M	an..6	M	*R	"CONTRL" (Syntax- and Service message)		
0052	Message version number	M	an..3	M	*R	"2" (Version 2)		
0054	Message release number	M	an..3	M	*	"1" (First release)		
					*	"2" (Release 2)		
0051	Controlling agency	M	an..2	M	*R	"UN" (UN/ECE/TRADE/WP.4, United Nations Standard Messages (UNSM))		
0057	Association assigned code	C	an..6	O				
0068	COMMON ACCESS REFERENCE	C	an..35	N				
S010	STATUS OF THE TRANSFER	C		N				
0070	Sequence of transfers	M	n..2					
0073	First and last transfer	C	a1					
Segment Notes:								

**CONTRL Syntax and service report message
Recommendation of Swiss Financial Institutions
for the use of the UN/EDIFACT Message**

UCI		INTERCHANGE RESPONSE				Segment No.	2	Segment Level	
M	1	UN/EDIFACT Directory			M	1	CH-MIG		Comment
<p>A segment identifying the interchange being responded to (the subject interchange). It also indicates interchange receipt, acknowledgement or rejection (action taken) of the UNA, UNB and UNZ segments, and identifies any error related to these segments.</p> <p>Depending on the action code, it may also indicate the action taken on the functional groups and messages within that interchange.</p> <p>The subject interchange is identified by copying its Interchange sender, Interchange recipient, and Interchange control reference data elements into the identical data elements in this segment. An erroneous or missing UNA, UNB or UNZ segment may be identified. If no segment is identified, the error relates the complete interchange, unless the error code identifies some other position.</p>									
Number	Description	M/C	Format	Type	*	Description	Comment		
0020	INTERCHANGE CONTROL REFERENCE	M	an..14	M		Interchange reference of the interchange being validated (UNB-0020 of the received interchange)			
S002	INTERCHANGE SENDER	M		M		Sender identification of the interchange being validated (UNB-S002 of the received interchange)			
0004	Sender identification	M	an..35	M					
0007	Recipient's identification qualifier	C	an..4	R					
0008	Address for reverse routing	C	an..14	N					
S003	INTERCHANGE RECIPIENT	M		M		Recipient identification of the interchange being validated (UNB-S003 of the received interchange)			
0010	Recipient identification	M	an..35	M					
0007	Recipient's identification qualifier	C	an..4	R					
0014	Routing address	C	an..14	N					

**CONTRL Syntax and service report message
Recommendation of Swiss Financial Institutions
for the use of the UN/EDIFACT Message**

Number	Description	M/C	Format	Type	*	Description	Comment
0083	ACTION, CODED	M	an..3	M	*	"4" (This level and all lower levels rejected)	
					*	"7" (This level acknowledged and all lower levels acknowledged if not explicitly rejected)	
					*	"8" (Interchange received and UNA, UNB, UNZ were found syntactically correct)	
0085	SYNTAX ERROR, CODED	C	an..3	O		Error code	
0013	SERVICE SEGMENT TAG, CODED	C	a3	O	*	"UNA" (Service string advice)	
					*	"UNB" (Interchange header segment)	
					*	"UNZ" (Interchange trailer segment)	
S011	DATA ELEMENT IDENTIFICATION	C		O			
0098	Erroneous data element position in segment	M	n..3	M		Position of the erroneous data element or composite data element within the segment (counter starts at the beginning of the segment with 1 and is increased with each change of data element or composite data element ("+")).	
0104	Erroneous component data element position	C	n..3	O		Position of the erroneous data element within the composite data element (counter starts at the beginning of the composite data element with 1 and is increased with each change of data element (":")).	

Segment Notes:

**CONTRL Syntax and service report message
Recommendation of Swiss Financial Institutions
for the use of the UN/EDIFACT Message**

SG1		UCM-SG2				SegGr.Level			
C	999999	UN/EDIFACT Directory				D	999999	CH-MIG	Comment
A group of segments sent in response to a message in the subject interchange identified in the UCI segment. This segment group is only used if the subject interchange does not contain functional groups.					Segment Group 1 (SG1) contains references to identify the message being validated.				
UCM		MESSAGE RESPONSE				Segment No. 3		Segment Level	
M	1	UN/EDIFACT Directory				M	1	CH-MIG	Comment
A segment identifying a message in the subject interchange, indicating that message's acknowledgement or rejection (action taken), and identifying any error related to the UNH and UNT segments. The message is identified by copying its Message identifier and Message reference number data elements into the identical data elements in this segment. An erroneous or missing UNH or UNT segment may be identified. If no segment is identified and segment group 2 is not present, the error relates to the complete message, unless the error code identifies some other position.									
Number	Description	M/C	Format	Type	*	Description	Comment		
0062	MESSAGE REFERENCE NUMBER	M	an..14	M		Message reference of the message being validated (UNH-0062)			
S009	MESSAGE IDENTIFIER	M		M					
0065	Message type	M	an..6	M		Type of the validated message (from UNH-S009-0065 of the referenced message)			
0052	Message version number	M	an..3	M		Version number of the validated message (from UNH-S009-0052 of the referenced message).			
0054	Message release number	M	an..3	M		Release number of the validated message (from UNH-S009-0054 of the referenced message)			
0051	Controlling agency	M	an..2	M		Controlling agency of the validated message (from UNH-S009-0051 of the referenced message)			
0057	Association assigned code	C	an..6	N					

**CONTRL Syntax and service report message
Recommendation of Swiss Financial Institutions
for the use of the UN/EDIFACT Message**

Number	Description	M/C	Format	Type	*	Description	Comment
0083	ACTION, CODED	M	an..3	M	* *	"4" (This level and all lower levels rejected) "7" (This level acknowledged and all lower levels acknowledged if not explicitly rejected)	
0085	SYNTAX ERROR, CODED	C	an..3	O		Error code	
0013	SERVICE SEGMENT TAG, CODED	C	a3	O	* *	"UNH" (Message header segment) "UNT" (Message trailer segment)	
S011	DATA ELEMENT IDENTIFICATION	C		O			
0098	Erroneous data element position in segment	M	n..3	M		Position of the erroneous data element or composite data element within the segment (counter starts at the beginning of the segment with 1 and is increased with each change of data element or composite data element ("+")).	
0104	Erroneous component data element position	C	n..3	O		Position of the erroneous data element within the composite data element (counter starts at the beginning of the composite data element with 1 and is increased with each change of data element (":")).	

Segment Notes:

Element 0083 (Action, coded):

In this message implementation guideline it is only intended to use code "4" to reject a whole message or code "7" to acknowledge a message.

Use of code "7" in data element 0083 in conjunction with data elements 0085, 0013, S011 or segment group 2 requires a bilateral agreement with the involved Financial Institution.

**CONTRL Syntax and service report message
Recommendation of Swiss Financial Institutions
for the use of the UN/EDIFACT Message**

SG1		UCM-SG2				SegGr.Level		
C	999999	UN/EDIFACT Directory		D	999999	CH-MIG	Comment	
A group of segments sent in response to a message in the subject interchange identified in the UCI segment. This segment group is only used if the subject interchange does not contain functional groups.				Segment Group 1 (SG1) contains references to identify the message being validated.				
SG2		UCS-UCD				SegGr.Level		
C	999	UN/EDIFACT Directory		D	999	CH-MIG	Comment	
A group of segments sent in response to a segment containing one or more errors, and which was part of the message identified by the UCM segment in segment group 1.				The Segment Group 2 (SG2) contains the segment position where the error occurs.				
UCS		SEGMENT ERROR INDICATION				Segment No.	4	Segment Level
M	1	UN/EDIFACT Directory		M	1	CH-MIG	Comment	
A segment identifying a segment in the message, indicating that this segment contains an error, and identifying any error related to the complete segment.								
Number	Description	M/C	Format	Type	*	Description	Comment	
0096	SEGMENT POSITION IN MESSAGE	M	n..6	M		Position of the erroneous segment within the message (counter starts at the UNH segment with 1 and is increased with each change of segment (end of segment, " ' ")).		
0085	SYNTAX ERROR, CODED	C	an..3	O		Error code		
Segment Notes:								

**CONTRL Syntax and service report message
Recommendation of Swiss Financial Institutions
for the use of the UN/EDIFACT Message**

SG1		UCM-SG2				SegGr.Level		
C	999999	UN/EDIFACT Directory		D	999999	CH-MIG	Comment	
SG2		UCS-UCD				SegGr.Level		
C	999	UN/EDIFACT Directory		D	999	CH-MIG	Comment	
UCD		DATA ELEMENT ERROR INDICATION				Segment No.	5	Segment Level
C	99	UN/EDIFACT Directory		D	99	CH-MIG	Comment	
A segment identifying an erroneous simple, composite or component data element in the segment identified by the UCS segment in segment group 2, and identifying the nature of the error.				The Segment UCD contains the position of the erroneous simple, composite or component data element.				
Number	Description	M/C	Format	Type	*	Description	Comment	
0085	SYNTAX ERROR, CODED	M	an..3	M		Error code		
S011	DATA ELEMENT IDENTIFICATION	M		M				
0098	Erroneous data element position in segment	M	n..3	M		Position of the erroneous data element or composite data element within the segment (counter starts at the beginning of the segment with 1 and is increased with each change of data element or composite data element ("+").		
0104	Erroneous component data element position	C	n..3	O		Position of the erroneous data element within the composite data element (counter starts at the beginning of the composite data element with 1 and is increased with each change of data element (":")).		
Segment Notes:								

**CONTRL Syntax and service report message
Recommendation of Swiss Financial Institutions
for the use of the UN/EDIFACT Message**

UNT		MESSAGE TRAILER				Segment No.	10	Segment Level
M	1	UN/EDIFACT Directory		M	1	CH-MIG		Comment
		A service segment ending a message, giving the total number of segments in the message and the control reference number.						
Number	Description	M/C	Format	Type	*	Description	Comment	
0074	NUMBER OF SEGMENTS IN THE MESSAGE	M	n..6	M		Number of segments within the message.		
0062	MESSAGE REFERENCE NUMBER	M	an..14	M		The same value as UNH 0062.		
Segment Notes:								

4 EXAMPLES

4.1 Example CONTRL interchange acknowledgement

The following examples shows only the recommended features of a CONTRL-Message, not its entire possibilities.

Seg. No.	UN/EDIFACT-String	Comment
1.	UNA:+.?'	
2.	UNB+UNOA:2+9808:128+001981:128+990608:1705+123456+++++1'	Interchange „123456“.
3.	UNH+1+CONTRL:2:2:UN'	Message „1“.
4.	UCI+80001+001981:128+9808:128+7'	The received interchange no. 80001 is acknowledged after positive validation.
5.	UNT+3+1'	Message „1“ with 3 segments.
6.	UNZ+1+123456'	Interchange trailer.

4.2 Example CONTRL interchange rejection

The following examples shows only the recommended features of a CONTRL-Message, not its entire possibilities.

Seg. No.	UN/EDIFACT-String	Comment
1.	UNA:+.?'	
2.	UNB+UNOA:2+9808:128+001981:128+990623:1429+123457'	Interchange „123457“.
3.	UNH+1+CONTRL:2:2:UN'	Message „1“.
4.	UCI+106S.04-000001+001981:128+9808:128+4'	The received interchange „106S.04-000001“ is rejected after validation.
5.	UCM+106S.04-111112+CREADV:2:912:UN+4'	The error occurred in the message „106S.04-111112“.
6.	UCS+10'	The error occurred in the 10th segment in the message „106S.04-111112“.
7.	UCD+13+4:2'	A mandatory element is missing (2nd element in the 4th composite/element).
8.	UNT+6+1'	Message „1“ with 6 segments.
9.	UNZ+1+123457'	Interchange trailer.

CONTRL Syntax and service report message Recommendation of Swiss Financial Institutions for the use of the UN/EDIFACT Message

4.3 Example CONTRL interchange receipt

The following examples shows only the recommended features of a CONTRL-Message, not its entire possibilities.

Seg. No.	UN/EDIFACT-String	Comment
1.	UNA:+.? '	
2.	UNB+UNOA:2+9808:128+001981:128+990608:1705+923456+++++1'	Interchange "923456".
3.	UNH+1+CONTRL:2:2:UN'	Message „1“.
4.	UCI+80001+001981:128+9808:128+8'	The interchange no. 80001 has been received.
5.	UNT+3+1'	Message „1“ with 3 segments.
6.	UNZ+1+923456'	Interchange trailer.

5 HISTORY OF CHANGES

5.1 History of changes

This CONTRL MIG, version 1.1 from 16.05.2002 contains the following changes, as compared to the previous version:

- Chapter 5 History of changes New section.
- Some Chapter The CONTRL can be not only used to accept or reject the whole interchange but also to accept the interchange and to reject some messages out of it (see Annex A “Use of error codes”).
- Chapter 3.2 UCI-0083 Description of code “8” changed to “Interchange received and UNA, UNB, UNZ were found syntactically correct”.
- Chapter 3.2 SG1 Description of Segment Group 1 changed to “Segment Group 1 (SG1) contains references to identify the message being validated.”, text in S009 adapted.
- Chapter 3.2 Segment notes UCM Description of Segment notes UCM changed.

Annex A: Use of error codes

Element 0083 „Action, coded“

The CONTRL indicates:

1. an interchange receipt with code 8 in UCI-0083 (in this case a second CONTRL may be sent back to indicate the acknowledgment or rejection of the same received interchange or parts of it).
2. an interchange acknowledgement with code 7 in UCI-0083
 - without further UCM and UCS/UCD segments: interchange accepted, no errors in the interchange
 - with message rejection with code 4 in UCM-0083 (and additional UCS/UCD segments, if possible)
3. an interchange rejection with
 - an error at interchange level with code 4 in UCI-0083 or
 - an error at message level with code 4 in UCI-0083 and code 4 in UCM-0083 (and additional UCS/UCD segments, if possible)

Case	Description	Code 0083		
		UCI	UCM	UCS/UCD
1. Indication of interchange receipt	Interchange received.	8	-	-
2. Interchange acknowledged	• No error at interchange level, whole interchange accepted.	7	-	-
	• Error at message level, interchange accepted but this message rejected.	7	4	if possible
3. Interchange rejected	• Error at interchange level, whole interchange rejected.	4	-	-
	• Error at message level, whole interchange rejected.	4	4	if possible

**CONTRL Syntax and service report message
Recommendation of Swiss Financial Institutions
for the use of the UN/EDIFACT Message**

Element 0085 „Syntax error, coded“

The table below describes at which reporting-level an error code may be used in Element 0085 „Syntax error, coded“ (details see UN/EDIFACT syntax version 2. As no „Functional Groups“ are used in Switzerland, the column „UCF“ and the errors that can only occur at functional group level are not used and are shaded.

Code	Code name	Segment				
		U C I	U C F	U C M	U C S	U C D
2	Syntax version or level not supported	x	-	-	-	-
7	Interchange recipient not actual recipient	x	-	-	-	-
12	Invalid value	x	x	x	x	x
13	Missing	x	x	x	x	x
14	Value not supported in this position	x	x	x	x	x
15	Not supported in this position	x	x	x	x	x
16	Too many constituents	x	x	x	x	x
17	No agreement	x	x	x	-	-
18	Unspecified error	x	x	x	x	x
20	Character invalid as service character	x	-	-	-	-
21	Invalid character(s)	x	x	x	x	x
22	Invalid service character(s)	x	x	x	x	x
23	Unknown Interchange sender	x	-	-	-	-
24	Too old	x	x	-	-	-
25	Test indicator not supported	x	x	x	-	-
26	Duplicate detected	x	x	x	-	-
28	References do not match	x	x	x	-	-
29	Control or octet count does not match number of instances received	x	x	x	-	-
30	Groups and messages/packages mixed	x	x	x	-	-
32	Lower level empty	x	x	-	-	-
33	Invalid occurrence outside message, package or group	x	x	-	-	-

**CONTRL Syntax and service report message
Recommendation of Swiss Financial Institutions
for the use of the UN/EDIFACT Message**

35	Too many repetitions	-	-	X	X	X
36	Too many segment group repetitions	-	-	-	X	-
37	Invalid type of character(s)	X	X	X	-	X
39	Data element too long	X	X	X	-	X
40	Data element too short	X	X	X	-	X
45	Trailing separator	X	X	X	X	-
46	Character set not supported	X	-	-	-	-
47	Envelope functionality not supported	-	X	X	-	-

Legend: x = may be used
 - = shall not be used

Source: UN/EDIFACT syntax version 2