

DIRDEB D.96A Direct debit message
Recommendation of Swiss financial institutions
for the use of the UN/EDIFACT message
used only for LSV⁺

DIRDEB for LSV⁺ Version 1.0 from 26.01.2006

Table of contents

1	INTRODUCTION	4
1.1	Introduction	5
1.2	Mapping the DIRDEB to TA 875	6
1.2.1	TA 875, Lastschrift	6
1.2.2	TA 890, Totalrecord	9
1.3	DIRDEB Principles and Data Segment Clarification	11
1.3.1	Principles	11
1.3.2	Data Segment Clarification	11
2	MESSAGE LAYOUT	12
2.1	Message Structure	12
2.2	Branching Diagram	16
3	SEGMENT LAYOUT	21
3.1	Introduction	21
3.2	Segments Level A (first part)	22
3.3	Segment Level B	32
3.4	Segments Level C	42
3.5	Segments Level A (second part)	56

4	EXAMPLE	60
5	HISTORY OF CHANGES	63
5.1	History of changes	63

DIRDEB D.96A Direct debit message Recommendation of Swiss Financial Institutions for the use of the UN/EDIFACT Message

1 INTRODUCTION

This document is to be used together with the „Generic Implementation Information, Recommendation of Swiss Financial Institutions for the use of the UN/EDIFACT-Messages“.

This document is based on

Titel	Version	Remarks	Source
DIRDEB D.96A Direct debit message, recommendation of Swiss financial institutions for the use of the UN/EDIFACT message	Version 1.2		http://www.sic.ch
Generic Implementation Information, recommendation of Swiss financial institutions for the use of the UN/EDIFACT messages including Swiss Interbank Clearing- and Swiss PostFinance UN/EDIFACT code lists.	Version 1.1		http://www.sic.ch
DIRDEB D.96A Direct debit message, recommendation of D6 Working Group Finance for the use of the UN/EDIFACT message	Version 1.2 .5		http://www.unece.org/trade/untdid
UNITED NATIONS TRADE DATA INTERCHANGE DIRECTORY (UNTDID)	D.96A	Definition DIRDEB	http://www.unece.org/trade/untdid
UNITED NATIONS TRADE DATA INTERCHANGE DIRECTORY (UNTDID)	Latest available code list	UNCL (code list) only	http://www.unece.org/trade/untdid
ISO 9735 Electronic data interchange for administration, commerce and transport (EDIFACT) – Application level syntax rules	Syntax version number: 3		http://www.iso.ch/cate/cat.html
ISO 646 Information processing – ISO 7-bit coded character set for information interchange			http://www.iso.ch/cate/cat.html
LSV ⁺ -Anleitung für Zahlungsempfänger	Version 1.0 / 5. April 2005		http://www.sic.ch

DIRDEB D.96A Direct debit message Recommendation of Swiss Financial Institutions for the use of the UN/EDIFACT Message

1.1 Introduction

This specification provides the definition of the direct debit message (DIRDEB) to be used in Electronic Data Interchange (EDI) between trading partners involved in administration, commerce and transport.

The scope of this document is reduced to extend of the Swiss Direct Debit Service LSV⁺. It describes all data needed and allowed by LSV⁺ and enables processing of DIRDEB messages based on the definitions of Swiss Interbank Clearing Ltd. The received DIRDEB message will be mapped in the TA 875 and forwarded to SIC for further processing as described in the “LSV⁺-Anleitung für Zahlungsempfänger“. This recommendation for the DIRDEB for Swiss Direct Debit Service LSV⁺ is based on the general Swiss recommendation for the use of the UN/EDIFACT message (DIRDEB D.96A Direct debit message, recommendation of Swiss financial institutions for the use of the UN/EDIFACT message, version 1.2).

1.2 Mapping the DIRDEB to TA 875

This chapter shows the structure of the TA 875 as defined in the “LSV⁺-Anleitung für Zahlungsempfänger” and additionally the element used in the DIRDEB to transport the relevant information.

Source: LSV⁺-Anleitung für Zahlungsempfänger

1.2.1 TA875, Lastschrift

Bezeichnung	Feld-ID	Länge	Beschreibung	Beispiel	DIRDEB Element
Transaktionsart	TA	3 n	Transaktionsart des Records (fix 875)	875	BGM-C002-1001
Versions-Nr.	VNR	1 n	Versionsnummer, jetzt immer 0	0	UNH-S009-0057
Verarbeitungsart	VART	1 x	Die Verarbeitungsart muss bei allen Records des LSV-Files gleich lauten. <ul style="list-style-type: none"> • P = Produktiv • T = Test 	P	BGM-1225
Gewünschtes Verarbeitungsdatum	GVDAT	8 n	Gewünschtes Verarbeitungsdatum: <ul style="list-style-type: none"> • max. 30 Kalendertage in der Zukunft bezüglich Einlieferdatum bei SIC AG • max. 10 Kalendertage in der Vergangenheit bezüglich Einlieferdatum bei SIC AG 	20051125	SG4-DTM-C507-2379
BC-Nr. des ZP-FI	BC-ZP	5 x	Bankenclearing-Nummer des ZP-FI (linksbündig, Rest des Feldes mit Blanks aufgefüllt).	6182	SG4-SG11-SG12-FII-C088-3434
Erstellungsdatum	EDAT	8 n	Datum der Erstellung des LSV-Files. Es muss bei allen Records des LSV-Files gleich lauten.	20051121	DTM-C507-2380
BC-Nr. des ZE-FI	BC-ZE	5 x	Bankenclearing-Nummer des ZE-FI (linksbündig, Rest des Feldes mit Blanks aufgefüllt).	202	SG4-SG6-FII-C088-3434

DIRDEB D.96A Direct debit message
Recommendation of Swiss Financial Institutions
for the use of the UN/EDIFACT Message

Bezeichnung	Feld-ID	Länge	Beschreibung	Beispiel	DIRDEB Element
Absender-Identifikation	ABS-ID	5 x	Zur Identifizierung des Absenders des LSV-Files muss dessen Identifikation angegeben werden. Sie muss bei allen Records des LSV-Files gleich lauten. Falls der ZE das LSV-File selbst einliefert, entspricht diese Identifikation derjenigen im Feld LSV-ID. Wenn der ZE für die Einlieferung einen Dritten (z.B. Rechenzentrum oder Treuhänder) beauftragt hat, muss sie anders lauten.	TRE2W	SG4-RFF-C506-1154 IF SG4-RFF-C506-1153 = "CT"
Eingabe-Sequenznummer	ESEQ	7 n	Pro LSV-File müssen die Records lückenlos aufsteigend nummeriert sein, beginnend mit 0000001.	0000023	SG4-SG11-SEQ-C286-1050
LSV-Identifikation	LSV-ID	5 x	LSV-Identifikation des ZE	ABC1W	SG4-SG11-RFF-C506-1154 IF SG4-SG11-RFF-C506-1153 = "AKJ"
Währung	WHG	3 x	Währung (CHF oder EUR). Sie muss bei allen Records des LSV-Files gleich lauten.	CHF	SG4-SG11-MOA-C516-6345
Betrag	BETR	12 n	Betrag der Lastschrift mit führenden Nullen und Komma sowie wahlweise keine, eine oder zwei Dezimalstellen.	0000025156,7	SG4-SG11-MOA-C516-5004
Konto des ZE	KTO-ZE	34 x	IBAN (International Bank Account Number) des ZE-Kontos beim ZE-FI (linksbündig, Rest des Feldes mit Blanks aufgefüllt). Beispiel einer 21-stelligen IBAN in der Schweiz oder im Fürstentum Liechtenstein: Pos. 1+2 = Landcode (CH oder LI) Pos. 3+4 = Prüfziffer gesamtes Feld Pos. 5-9 = BC-Nummer des ZE-FI Pos. 10-21 = Kontonummer des ZE beim ZE-FI Pos. 22-34 = Blanks	CH93007620116 23852957	SG6-FII-C078-3194 IF SG6-FII-3035 = "BF"

**DIRDEB D.96A Direct debit message
Recommendation of Swiss Financial Institutions
for the use of the UN/EDIFACT Message**

Bezeichnung	Feld-ID	Länge	Beschreibung	Beispiel	DIRDEB Element
ZE	ADR-ZE	4*35 x	4-zeilige Adresse des ZE. Mindestens die ersten zwei Adresszeilen müssen eine Angabe enthalten (linksbündig, Rest der Felder mit Blanks aufgefüllt).	Max Meier Dorfplatz 3 9999 Irgendwo	SG4-SG7-NAD IF SG4-SG7-NAD-3035 = "BE"
Konto des ZP	KTO-ZP	34 x	Enthält die Kontonummer des ZP (mit oder ohne IBAN). Ohne IBAN Max. 16-stellige Kontonummer des ZP beim ZP-FI (linksbündig, Rest des Feldes mit Blanks aufgefüllt). Darstellung gemäss Angabe auf der Belastungsermächtigung. Mit IBAN IBAN (International Bank Account Number) des ZP-Kontos beim ZP-FI (linksbündig, Rest des Feldes mit Blanks aufgefüllt). Format gemäss Feld "Konto des ZE".	123.456-78XY CH64048360571 45041000	SG4-SG11-SG12-FII-C078-3194 IF SG4-SG11-SG12-FII-3035 = "PH"
ZP	ADR-ZP	4*35 x	4-zeilige Adresse des ZP. Mindestens die ersten zwei Adresszeilen müssen eine Angabe enthalten (linksbündig, Rest der Felder mit Blanks aufgefüllt).	DORIS ENG ANDERSWO	SG4-SG11-SG12-FII-C078-3194 IF SG4-SG11-SG12-FII-3035 = "PL"
Mitteilungen	MIT-ZP	4*35 x	Fakultative 4-zeilige Mitteilung an den ZP (linksbündig, Rest der Felder mit Blanks aufgefüllt).	Rechnung vom 31.10.2005	SG4-SG11-SG16-FTX-C108-4440 IF SG4-SG11-SG16-FTX-4451 = „PMD“
Referenz-Flag	REF-FL	1 x	Bezeichnet die Art der Referenznummer im folgenden Feld "LSV-Referenz": <ul style="list-style-type: none"> • A: ESR-Referenznummer • B: IPI-Verwendungszweck 	A	SG4-SG11-SG16-SG17-DOC-C002-1001

**DIRDEB D.96A Direct debit message
Recommendation of Swiss Financial Institutions
for the use of the UN/EDIFACT Message**

Bezeichnung	Feld-ID	Länge	Beschreibung	Beispiel	DIRDEB Element
LSV-Referenz	REF-NR	27 x	27-stellige ESR-Referenznummer (Referenz-Flag = A) oder 20-stelliger IPI-Verwendungszweck (Referenz-Flag = B, linksbündig, Rest des Feldes mit Blanks aufgefüllt).	20000200000000 4443332000061	In case of ESR: SG4-SG11-SG16-SG17-DOC-C002-1000 IF SG4-SG11-SG16-SG17-DOC-C002-1001 = „ESR“ In case of IPI: SG4-SG11-SG16-SG17-DOC-C503-1004 IF SG4-SG11-SG16-SG17-DOC-C002-1001 = „IPI“
ESR-Teilnehmernummer	ESR-TN	9 x	ESR-Teilnehmernummer des ZE-FI, wenn ESR-Referenznummer verwendet wird (Referenz-Flag = A). Linksbündig, Rest des Feldes mit Blanks aufgefüllt. Bei Verwendung des 20-stelligen IPI-Verwendungszwecks (Referenz-Flag = B) ist das ganze Feld mit Blanks zu füllen.	010001456	SG4-SG7-NAD-C082-3039 IF SG4-SG7-NAD-3035 = “BE”

1.2.2 TA 890, Totalrecord

Bezeichnung	Feld-ID	Länge	Beschreibung	Beispiel	DIRDEB Element
Transaktionsart	TA	3 n	Transaktionsart des Records (fix 890)	890	BGM-C002-1001
Versions-Nr.	VNR	1 n	Versionsnummer, jetzt immer 0	0	UNH-S009-0057
Erstellungsdatum	EDAT	8 n	Datum der Erstellung des LSV-Files. Es muss bei allen Records des LSV-Files gleich lauten.	20051121	DTM-C507-2380
Absender-Identifikation	ABS-ID	5 x	Zur Identifizierung des Absenders des LSV-Files muss dessen Identifikation angegeben werden. Die Absender-Identifikation muss bei allen Records des LSV-Files gleich lauten.	TRE2W	SG4-RFF-C506-1154 IF SG4-RFF-C506-1153 = “CT”
Eingabe-Sequenznummer	ESEQ	7 n	Pro LSV-File müssen die Records lückenlos aufsteigend nummeriert sein, beginnend mit 0000001. Der Totalrecord weist die höchste Eingabe-Sequenznummer des LSV-Files auf.	0001569	SG4-SG11-SEQ-C286-1050: For TA890 – ESEQ: the highest TA875 - ESEQ plus 1 will be used

**DIRDEB D.96A Direct debit message
Recommendation of Swiss Financial Institutions
for the use of the UN/EDIFACT Message**

Bezeichnung	Feld-ID	Länge	Beschreibung	Beispiel	DIRDEB Element
Währung	WHG	3 x	Währung (CHF oder EUR). Sie muss bei allen Records des LSV-Files gleich lauten.	CHF	SG4-SG5-MOA-C516-6345
Totalbetrag	TBETR	16 n	Totalbetrag aller im LSV-File enthaltenen Lastschriften mit führenden Nullen und Komma sowie wahlweise keine, eine oder zwei Dezimalstellen.	0000000239354, 95	SG4-SG5-MOA-C516-5004

1.3 DIRDEB Principles and Data Segment Clarification

Source: Western European EDIFACT Board - MD4

1.3.1 Principles

- A direct debit may cover the financial settlement(s) of one or more commercial trade transactions, such as invoices, credit notes, debit notes, etc. It is not intended for use in securities trading.
- Several credit accounts, execution dates and currencies may be specified.
- Charges may be borne on account(s) different of the account(s) held by the Creditor.
- The creditor's bank may need a confirmation/authorization from the creditor to be able to process the direct debit message.
- Pre-authorized and non pre-authorized direct debits shall not be mixed within the same message.
- The only way to modify a direct debit message is to cancel the whole message or a transaction thereof (e.g. by the use of the FINCAN message). In that respect, one to many order(s) could be cancelled within the message, avoiding to be obliged to cancel the whole message.

The cancellation of a message can only be effected by the originator of the message. The kind of cancellation is dependent upon the process of the message or a transaction of it.

1.3.2 Data Segment Clarification

The following semantic principles applying to the message are intended to facilitate the understanding of the message:

The direct debit message is structured in three levels: A, B and C.

- Level A contains general data related to the whole message and is contained in segment groups 1, 2, 3 and 24.
- Level B contains data from the credit side (one credit account, one currency, one execution day) and data which applies to all the dependent C levels and is contained in segment group 4 through segment group 10.
- Level C contains mainly data related to the debit side and, may contain remittance information. This data is considered as unique for each debit transaction and is contained in segment group 11 through segment group 23.

The structure of the message is designed to allow several B levels, each B level being followed by its related C levels.

2 MESSAGE LAYOUT

2.1 Message Structure

UNH	M	1	MESSAGE HEADER
BGM	M	1	Beginning of message
DTM	M	1	Date/time/period
BUS	C	1	Business function
SG1	C	2	RFF-DTM
RFF	M	1	Reference
DTM	C	1	Date/time/period
SG2	C	5	FII-CTA-COM
FII	M	1	Financial institution information
CTA	C	1	Contact information
COM	C	5	Communication contact
SG3	C	3	NAD-CTA-COM
NAD	M	1	Name and address
CTA	C	1	Contact information
COM	C	5	Communication contact
SG4	M	9999	LIN-DTM-RFF-BUS-FCA-SG5-SG6-SG7-SG8-SG9-SG10-SG11
LIN	M	1	Line item
DTM	C	1	Date/time/period
RFF	C	2	Reference
BUS	C	1	Business function
FCA	C	1	Financial charges allocation
SG5	C	1	MOA-CUX-DTM-RFF
MOA	M	1	Monetary amount
CUX	C	1	Currencies
DTM	C	2	Date/time/period
RFF	C	1	Reference
SG6	M	1	FII-CTA-COM
FII	M	1	Financial institution information
CTA	C	1	Contact information
COM	C	5	Communication contact
SG7	C	3	NAD-CTA-COM

DIRDEB D.96A Direct debit message
Recommendation of Swiss Financial Institutions
for the use of the UN/EDIFACT Message

NAD	M	1	Name and address
CTA	C	1	Contact information
COM	C	5	Communication contact
SG8	C	1	INP-FTX-DTM
INP	M	1	Parties to instruction
FTX	C	1	Free text
DTM	C	2	Date/time/period
SG9	C	10	GIS-MOA-LOC-NAD-RCS-FTX
GIS	M	1	General indicator
MOA	C	1	Monetary amount
LOC	C	2	Place/location identification
NAD	C	1	Name and address
RCS	C	1	Requirements and conditions
FTX	C	10	Free text
SG10	C	1	PRC-FTX
PRC	M	1	Process identification
FTX	M	1	Free text
SG11	M	9999	SEQ-MOA-DTM-RFF-PAI-FCA-SG12-SG13-SG14-SG15-SG16
SEQ	M	1	Sequence details
MOA	M	1	Monetary amount
DTM	C	1	Date/time/period
RFF	C	3	Reference
PAI	C	1	Payment instructions
FCA	C	1	Financial charges allocation
SG12	C	3	FII-CTA-COM
FII	M	1	Financial institution information
CTA	C	1	Contact information
COM	C	5	Communication contact
SG13	C	3	NAD-CTA-COM
NAD	M	1	Name and address
CTA	C	1	Contact information
COM	C	5	Communication contact
SG14	C	3	INP-FTX-DTM
INP	M	1	Parties to instruction
FTX	C	1	Free text
DTM	C	2	Date/time/period

DIRDEB D.96A Direct debit message
Recommendation of Swiss Financial Institutions
for the use of the UN/EDIFACT Message

—	SG15	C	10	GIS-MOA-LOC-NAD-RCS-FTX	
	GIS	M	1	General indicator	
	MOA	C	1	Monetary amount	
	LOC	C	2	Place/location identification	
	NAD	C	1	Name and address	
	RCS	C	1	Requirements and conditions	
	—	FTX	C	10	Free text
	—	SG16	C	1	PRC-FTX-SG17-SG23
	PRC	M	1	Process identification	
	FTX	C	5	Free text	
	—	SG17	C	9999	DOC-MOA-DTM-RFF-NAD-SG18-SG19-SG20
	DOC	M	1	Document/message details	
	MOA	C	5	Monetary amount	
	DTM	C	5	Date/time/period	
	RFF	C	5	Reference	
	NAD	C	2	Name and address	
	—	SG18	C	5	CUX-DTM
	CUX	M	1	Currencies	
	DTM	C	1	Date/time/period	
	—	SG19	C	100	AJT-MOA-RFF-FTX
	AJT	M	1	Adjustment details	
	MOA	M	1	Monetary amount	
	RFF	C	1	Reference	
	FTX	C	5	Free text	
	—	SG20	C	1000	DLI-MOA-PIA-DTM-SG21-SG22
	DLI	M	1	Document line identification	
	MOA	M	5	Monetary amount	
	PIA	C	5	Additional product id	
	DTM	C	5	Date/time/period	
	—	SG21	C	5	CUX-DTM
	CUX	M	1	Currencies	
	DTM	C	1	Date/time/period	
	—	SG22	C	10	AJT-MOA-RFF-FTX
	AJT	M	1	Adjustment details	
	MOA	M	1	Monetary amount	
	RFF	C	1	Reference	

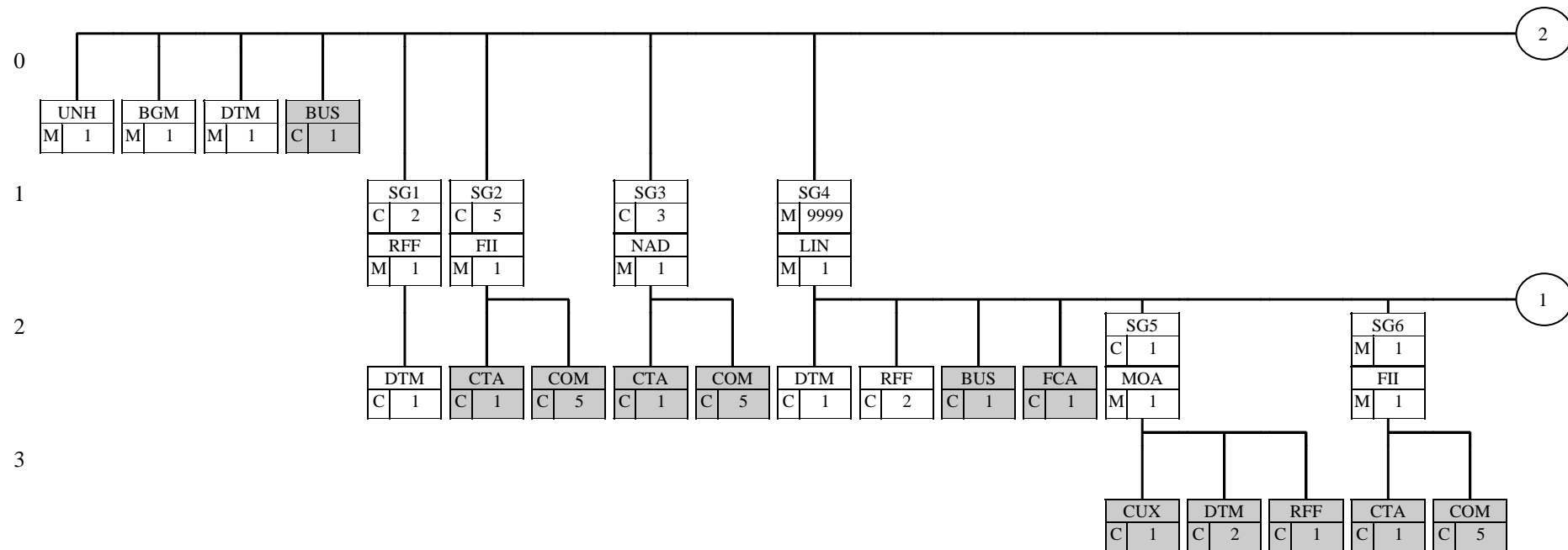
DIRDEB D.96A Direct debit message
Recommendation of Swiss Financial Institutions
for the use of the UN/EDIFACT Message

FTX	C	5	Free text
SG23	C	1	GIS-MOA
GIS	M	1	General indicator
MOA	C	5	Monetary amount
CNT	C	5	Control total
SG24	C	5	AUT-DTM
AUT	M	1	Authentication result
DTM	C	1	Date/time/period
UNT	M	1	MESSAGE TRAILER

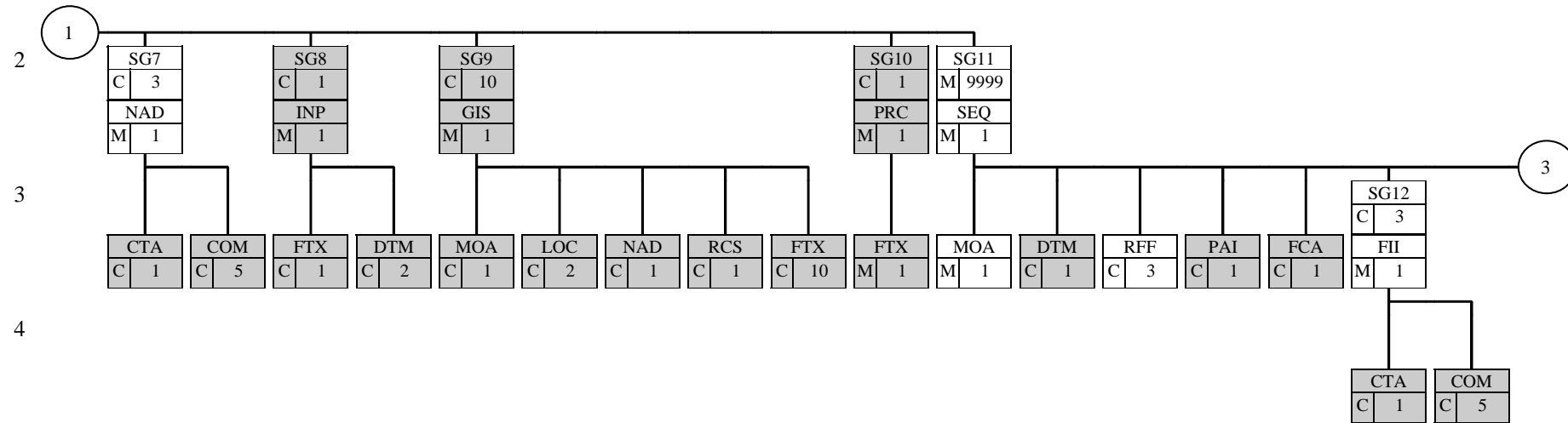
**DIRDEB D.96A Direct debit message
Recommendation of Swiss Financial Institutions
for the use of the UN/EDIFACT Message**

2.2 Branching Diagram

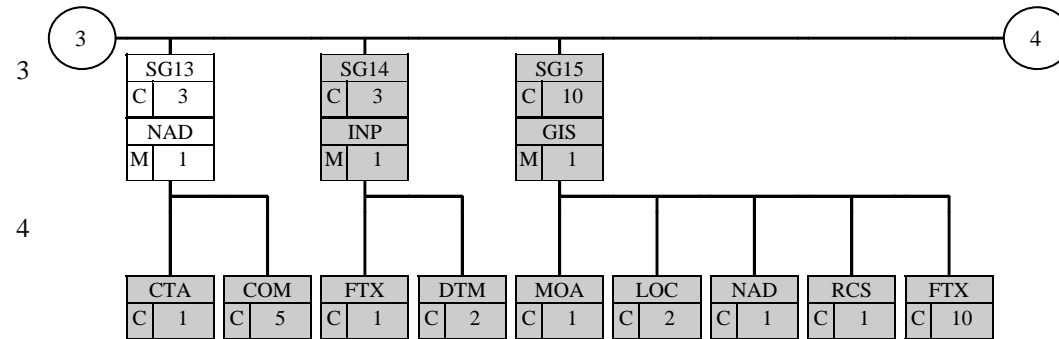
The use of the marked segments is not recommended, these segments are **not** described in the chapter „Segment Layout“.



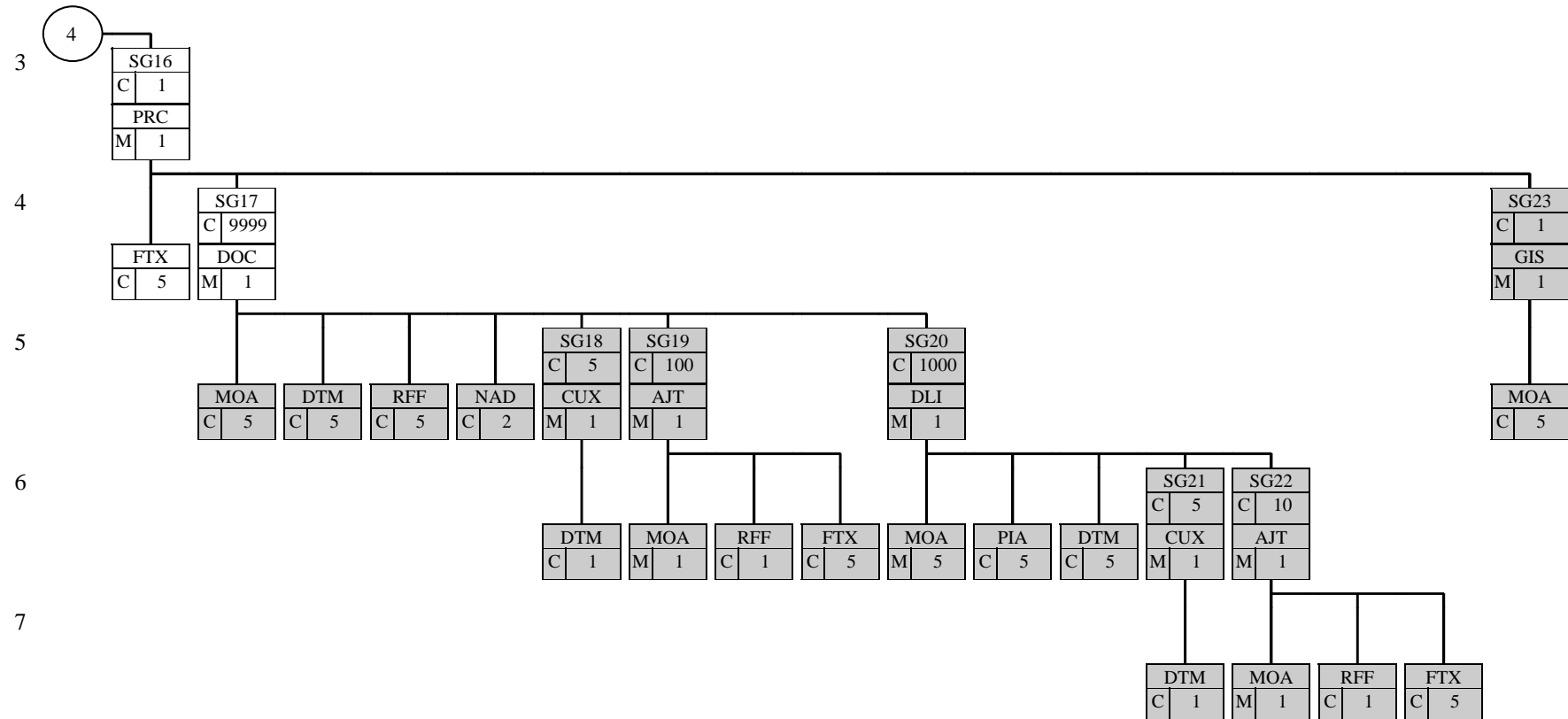
DIRDEB D.96A Direct debit message
Recommendation of Swiss Financial Institutions
for the use of the UN/EDIFACT Message



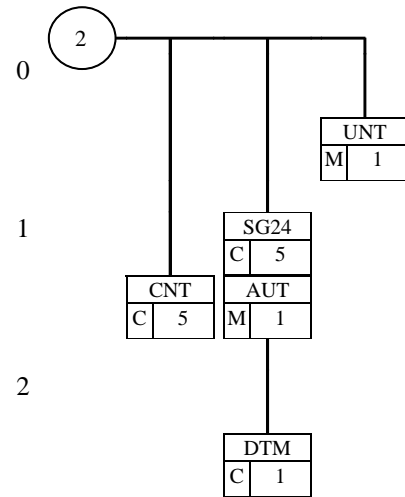
DIRDEB D.96A Direct debit message
Recommendation of Swiss Financial Institutions
for the use of the UN/EDIFACT Message



DIRDEB D.96A Direct debit message
Recommendation of Swiss Financial Institutions
for the use of the UN/EDIFACT Message



DIRDEB D.96A Direct debit message
Recommendation of Swiss Financial Institutions
for the use of the UN/EDIFACT Message



3 SEGMENT LAYOUT

3.1 Introduction

This section describes each segment of the UN/EDIFACT message DIRDEB. The segments are presented in the sequence in which they appear in the message.

- The segment or segment group tag is followed by the (M)andatory / (C)onditional indicator, the maximum number of occurrences and the segment description.
- The left side of the following table contains information from the original UN/EDIFACT Directory (data element number, description, M/C and format).
- In the center are the recommendations of Swiss financial institutions and (type,"*" and remarks).
- It is planned, to add further comments from the different Swiss financial institutions in the column „Comment“ of the table.

For all simple and composite data elements with a (C)onditional state in the column “M/C”, one of the following sub states is compulsory in the column “Type”:

R	REQUIRED	Indicates that the entity is required and must be sent
D	DEPENDENT	Indicates, that the entity must be sent in certain conditions, as defined by the relevant explanatory note
O	OPTIONAL	Indicates that the entity is optional and may be sent at the discretion of the user
N	NOT USED	Indicates that the entity is not used and should be omitted. Any data placed in an element marked with “N” will be ignored.

If a composite is flagged as „N“, all data elements within that composite will have blank status indicators in the column “Type”.

The column „*“ indicates:

- Whether the code values are restricted to the values given in the list („*“).
- Whether one specific code out of either an open or restricted code list is required („R“).
- Whether the code values must occur in certain conditions, as defined by the relevant explanatory note.

(blank)	Open code list	The use of code values which are not preceded by an asterisk (*) are not restricted (<i>open</i>). The available codes are listed in the code list of the corresponding UN/EDIFACT directory.
*	Restricted code list	Code values preceded by an asterisk (*) are the only codes available for use in the given context (<i>restricted choice</i>).
R	Required code out of open list	Codes preceded by an „R“ are required and must occur in one repetition of the corresponding segment if it is used.
*R	Required code out of restricted list	Codes preceded by an „R“ are required and must occur in one repetition of the corresponding segment if it is used.

DIRDEB D.96A Direct debit message
Recommendation of Swiss Financial Institutions
for the use of the UN/EDIFACT Message

3.2 Segments Level A (first part)

UNH		MESSAGE HEADER				Segment No. 2	Segment Level A	
M	1	A service segment starting and uniquely identifying a message. The message type code for the direct debit message is DIRDEB.						
CH-MIG		Note: Direct debit messages conforming to this document must contain the following data in segment UNH, composite S009:						
M	1	Data element 0065 DIRDEB						
		0052 D						
		0054 96A						
		0051 UN						
UN/EDIFACT Directory				CH - MIG		Comment		
Number	Description	M/C	Format	Type	Remarks			
0062	Message reference number	M	an..14	M	Identification of a message by a unique reference. The message reference must be allocated in ascending sequence within an interchange (e.g. the first message sent is 1, the second 2, etc.) but need not be consecutive.			
S009	MESSAGE IDENTIFIER	M		M				
0065	Message type identifier	M	an..6	M	* "DIRDEB" (Direct Debit Message)			
0052	Message type version number	M	an..3	M	* "D" (Directory)			
0054	Message type release number	M	an..3	M	* "96A" (Version 96A)			
0051	Controlling agency	M	an..2	M	* "UN" (UN/ECE/TRADE/WP.4, United Nations Standard Messages (UNSM))			
0057	Association assigned code	C	an..6	R	* "LSV-00" (LSV+ use)	TA875: VNR		
0068	Common access reference	C	an..35	N				
S010	STATUS OF THE TRANSFER	C		N				
0070	Sequence message transfer number	M	n..2					
0073	First/last sequence message transfer indication	C	a1					
Segment Notes:								

DIRDEB D.96A Direct debit message
Recommendation of Swiss Financial Institutions
for the use of the UN/EDIFACT Message

UN/EDIFACT Directory				CH - MIG		Comment
Number	Description	M/C	Format	Type	Remarks	
<p>BGM BEGINNING OF MESSAGE Segment No. 3 Segment Level A</p> <p>M 1 CH-MIG M 1</p> <p>A segment by means of which the sender must uniquely identify the DIRDEB message using its type (e.g., kind of pre-authorized instructions or not pre-authorized) and number and its function. The requirement for a response, e.g., related credit advices, may be indicated.</p> <p>Note: The identification of the DIRDEB will be passed back to the creditor for reconciliation purposes.</p>						
C002	Document/message name	C		R		
1001	Document/message name, coded	C	an..3	R	* "214" (Pre-authorized direct debit)	TA875: TA (TA890: TA) Total record of the LSV file
1131	Code list qualifier	C	an..3	N		
3055	Code list responsible agency, coded	C	an..3	N		
1000	Document/message name	C	an..35	N		
1004	Document/message number	C	an..35	R	Identification of the message by a unique transaction reference assigned by the sender. This reference is used for duplicate check.	
1225	Message function, coded	C	an..3	D	* "7" (Duplicate) * "9" (Original) * "53" (Test) If code "7" is used, segment group 1 is mandatory.	TA875: VART In absence of this code or in case "9" VART = "P" (Produktion) In case "53" VART = "T" (TEST)

**DIRDEB D.96A Direct debit message
Recommendation of Swiss Financial Institutions
for the use of the UN/EDIFACT Message**

UN/EDIFACT Directory				CH - MIG		Comment
Number	Description	M/C	Format	Type	Remarks	
4343	Response type, coded	C	an..3	O	"AB" = Message acknowledgement If DE is missing, the acknowledgement of the message together with the responsibility for the receiver will happen as bilaterally agreed.	
Segment Notes:						
Element 1225:						
The absence of the element 1225 means that the message is an original message (i.e. "9").						
Element 4343:						
If the message response defined in BGM-4343 is defined with "AB", additionally to the transaction response defined in LIN-1229, a BANSTA message will be returned.						

**DIRDEB D.96A Direct debit message
Recommendation of Swiss Financial Institutions
for the use of the UN/EDIFACT Message**

DTM		DATE/TIME/PERIOD				Segment No. 4	Segment Level A
M	1	A segment specifying the date and/or time the message is created.					
CH-MIG							
M	1						
UN/EDIFACT Directory				CH - MIG		Comment	
Number	Description	M/C	Format	Type	Remarks		
C507	Date/time/period	M		M			
2005	Date/time/period qualifier	M	an..3	M	* "137" (Document/message date/time)		
2380	Date/time/period	C	an..35	R		TA875: EDAT TA890: EDAT	
2379	Date/time/period format qualifier	C	an..3	R	* "102" (CCYYMMDD)		
Segment Notes:							

DIRDEB D.96A Direct debit message
Recommendation of Swiss Financial Institutions
for the use of the UN/EDIFACT Message



SG1	RFF-DTM				SegGr.Level A	
C 2	A group of segments identifying a previously sent message.					
CH-MIG	<i>This segment group is used when the duplicate code in the BGM segment (1225=7) is set. In this case this segment group is mandatory.</i>					
D 2						
RFF	REFERENCE			Segment No. 6	Segment Level A	
M 1	A segment identifying a previously sent message.					
CH-MIG						
M 1						
UN/EDIFACT Directory				CH - MIG		Comment
Number	Description	M/C	Format	Type	Remarks	
C506	Reference	M		M		
1153	Reference qualifier	M	an..3	M	* "ACW" (Reference number to previous message)	
1154	Reference number	C	an..35	R	Reference Number of the original DIRDEB message (BGM-1004).	
1156	Line number	C	an..6	N		
4000	Reference version number	C	an..35	N		
Segment Notes:						

DIRDEB D.96A Direct debit message
Recommendation of Swiss Financial Institutions
for the use of the UN/EDIFACT Message



SG1		RFF-DTM				SegGr.Level A
C	2	A group of segments identifying a previously sent message.				
CH-MIG		<i>This segment group is used when the duplicate code in the BGM segment (1225=7) is set. In this case this segment group is mandatory.</i>				
D	2					
DTM		DATE/TIME/PERIOD				Segment No. 7 Segment Level A
C	1	A segment identifying the date/time of the previously sent message.				
CH-MIG						
O	1					
UN/EDIFACT Directory				CH - MIG		Comment
Number	Description	M/C	Format	Type	Remarks	
C507	Date/time/period	M		M		
2005	Date/time/period qualifier	M	an..3	M	* "171" (Reference date/time)	
2380	Date/time/period	C	an..35	R		
2379	Date/time/period format qualifier	C	an..3	R	* "102" (CCYYMMDD) * "203" (CCYYMMDDHHMM)	
Segment Notes:						

**DIRDEB D.96A Direct debit message
Recommendation of Swiss Financial Institutions
for the use of the UN/EDIFACT Message**



SG2	FII-CTA-COM				SegGr.Level A	
C 5	A group of segments identifying the financial institutions involved in the direct debit, their functions and their contacts.					
CH-MIG	<i>This segment group is only used for routing purpose.</i>					
O 5						
FII	FINANCIAL INSTITUTION INFORMATION				Segment No. 8 Segment Level A	
M 1	A segment identifying the financial institution associated with the transaction and their functions.					
CH-MIG						
M 1						
UN/EDIFACT Directory				CH - MIG		Comment
Number	Description	M/C	Format	Type	Remarks	
3035	Party qualifier	M	an..3	M	* "MR" (Message recipient) * "AS" (Account servicing Financial Institution)	
C078	Account identification	C		N		
3194	Account holder number	C	an..35			
3192	Account holder name	C	an..35			
3192	Account holder name	C	an..35			
6345	Currency, coded	C	an..3			
C088	Institution identification	C		R		
3433	Institution name identification	C	an..11	D	International identification of the financial institution in coded form: ISO-BIC	
1131	Code list qualifier	C	an..3	D	* "25" (Bank identification)	
3055	Code list responsible agency, coded	C	an..3	D	* "5" (ISO (International Organization for Standardization))	

**DIRDEB D.96A Direct debit message
Recommendation of Swiss Financial Institutions
for the use of the UN/EDIFACT Message**

UN/EDIFACT Directory				CH - MIG		Comment
Number	Description	M/C	Format	Type	Remarks	
3434	Institution branch number	C	an..17	D	National identification of the financial institution in coded form: BC-No. ("001996" Swiss Post as a financial institution included)	
1131	Code list qualifier	C	an..3	D	* "157" (Clearing code)	
3055	Code list responsible agency, coded	C	an..3	D	* "121" (CH, Telekurs AG)	
3432	Institution name	C	an..70	N		
3436	Institution branch place	C	an..70	N		
3207	Country, coded	C	an..3	N		

Segment Notes:

Composite C088 (Institution identification):

The financial institution can be identified in one of the two following ways:

1. With the international identification using ISO-BIC in the element 3433 (qualified in the following elements 1131 and 3055) (preferred)
2. With the national identification using BC-No. (recommended) or any other identification code (listed in the code list of element 1131) in the element 3434 (qualified in the following elements 1131 and 3055).

**DIRDEB D.96A Direct debit message
Recommendation of Swiss Financial Institutions
for the use of the UN/EDIFACT Message**



SG3	NAD-CTA-COM				SegGr.Level A	
C 3	A group of segments identifying the name(s) and address(es) of each non-financial party involved in the transaction, their functions and their contacts.					
CH-MIG	<i>This segment group is only used for routing purpose.</i>					
O 3						
NAD	NAME AND ADDRESS				Segment No. 11	
M 1	A segment identifying names and addresses of the parties associated with the direct debit, in coded or uncoded form, and their functions.					
CH-MIG						
M 1						
UN/EDIFACT Directory				CH - MIG		Comment
Number	Description	M/C	Format	Type	Remarks	
3035	Party qualifier	M	an..3	M	* "MS" (Message sender) * "HQ" (Account owner)	
C082	Party identification details	C		D		
3039	Party id. identification	M	an..35	M		
1131	Code list qualifier	C	an..3	R	If using ISO or EAN identification: * "160" (Party identification) If using Telekurs identification: * "100" (Enhanced party identification) If bilaterally agreed: * "ZZZ" (Mutually defined)	
3055	Code list responsible agency, coded	C	an..3	R	* "5" (ISO [International Organization for Standardization]) * "9" (EAN (International Article Numbering association)) * "121" (CH, Telekurs AG) * "ZZZ" (Mutually defined)	
C058	Name and address	C		N		
3124	Name and address line	M	an..35			
3124	Name and address line	C	an..35			
3124	Name and address line	C	an..35			

**DIRDEB D.96A Direct debit message
Recommendation of Swiss Financial Institutions
for the use of the UN/EDIFACT Message**

UN/EDIFACT Directory				CH - MIG		Comment
Number	Description	M/C	Format	Type	Remarks	
3124	Name and address line	C	an..35			
3124	Name and address line	C	an..35			
C080	Party name	C		D		
3036	Party name	M	an..35	M		
3036	Party name	C	an..35	O		
3036	Party name	C	an..35	O		
3036	Party name	C	an..35	N		
3036	Party name	C	an..35	N		
3045	Party name format, coded	C	an..3	N		
C059	Street	C		D		
3042	Street and number/p.o. box	M	an..35	M		
3042	Street and number/p.o. box	C	an..35	O		
3042	Street and number/p.o. box	C	an..35	O		
3042	Street and number/p.o. box	C	an..35	N		
3164	City name	C	an..35	D		
3229	Country sub-entity identification	C	an..9	D		
3251	Postcode identification	C	an..9	D		
3207	Country, coded	C	an..3	D		

Segment Notes:

This segment can be used in two ways:

1. C080/C059/3164/3229/3251/3207 (Structured name and address), preferred
2. C082 only (Party identification)

The use of party identification (variant 2) with a structured name/address (variant 1) will be accepted.

**DIRDEB D.96A Direct debit message
Recommendation of Swiss Financial Institutions
for the use of the UN/EDIFACT Message**

3.3 Segment Level B

SG4	LIN-DTM-RFF-BUS-FCA-SG5-SG6-SG7-SG8-SG9-SG10-SG11				SegGr.Level B	
M 9999	A group of segments containing information regarding the credit side of the transaction and details which are pertinent to all direct debits specified within the group. Certain payment details may be provided either in segment group 4 or in segment group 11, but not in both.					
CH-MIG						
M 9999						
LIN	LINE ITEM				Segment No. 14 Segment Level B	
M 1	A segment identifying the beginning of the credit side of the transaction (B level) by a sequential line number, which may also be used for reconciliation purposes.					
CH-MIG						
M 1						
UN/EDIFACT Directory				CH - MIG		Comment
Number	Description	M/C	Format	Type	Remarks	
1082	Line item number	C	n..6	R	Application generated number for each B-level. Numbers must be allocated in ascending sequence order within the message without gaps (i.e. the first line is 1, the second line 2, etc.).	
1229	Action request/notification, coded	C	an..3	N		
C212	Item number identification	C		N		
7140	Item number	C	an..35			
7143	Item number type, coded	C	an..3			
1131	Code list qualifier	C	an..3			
3055	Code list responsible agency, coded	C	an..3			

**DIRDEB D.96A Direct debit message
Recommendation of Swiss Financial Institutions
for the use of the UN/EDIFACT Message**

UN/EDIFACT Directory				CH - MIG		Comment
Number	Description	M/C	Format	Type	Remarks	
C829	Sub-line information	C		N		
5495	Sub-line indicator, coded	C	an..3			
1082	Line item number	C	n..6			
1222	Configuration level	C	n..2	N		
7083	Configuration, coded	C	an..3	N		
Segment Notes:						

**DIRDEB D.96A Direct debit message
Recommendation of Swiss Financial Institutions
for the use of the UN/EDIFACT Message**



SG4	LIN-DTM-RFF-BUS-FCA-SG5-SG6-SG7-SG8-SG9-SG10-SG11				SegGr.Level B	
M 9999	A group of segments containing information regarding the credit side of the transaction and details which are pertinent to all direct debits specified within the group. Certain payment details may be provided either in segment group 4 or in segment group 11, but not in both.					
CH-MIG						
M 9999						
DTM	DATE/TIME/PERIOD				Segment No. 15	Segment Level B
C 1	A segment identifying the date, at which an order has been requested to be executed or acted upon.					
CH-MIG						
R 1						
UN/EDIFACT Directory				CH - MIG		Comment
Number	Description	M/C	Format	Type	Remarks	
C507	Date/time/period	M		M		TA875: GVDAT
2005	Date/time/period qualifier	M	an..3	M	* "203" (Execution date, requested)	
2380	Date/time/period	C	an..35	R		
2379	Date/time/period format qualifier	C	an..3	R	* "102" (CCYYMMDD)	
Segment Notes:						

**DIRDEB D.96A Direct debit message
Recommendation of Swiss Financial Institutions
for the use of the UN/EDIFACT Message**



SG4	LIN-DTM-RFF-BUS-FCA-SG5-SG6-SG7-SG8-SG9-SG10-SG11				SegGr.Level B	
M 9999	A group of segments containing information regarding the credit side of the transaction and details which are pertinent to all direct debits specified within the group. Certain payment details may be provided either in segment group 4 or in segment group 11, but not in both.					
CH-MIG						
M 9999						
RFF	REFERENCE				Segment No. 16	Segment Level B
C 2	A segment specifying reference of the single credit amount on the credit side of the transaction (B level).					
CH-MIG	Note: The identification will be passed back to the creditor for reconciliation purposes.					
R 2						
UN/EDIFACT Directory				CH - MIG		Comment
Number	Description	M/C	Format	Type	Remarks	
C506	Reference	M		M		
1153	Reference qualifier	M	an..3	M	*R "AEK" (Payment order number) *R "CT" (Contract number)	
1154	Reference number	C	an..35	R	In case of "AEK" Reference number to be used in the BANSTA to reference this B-Level In case of "CT" TA875: ABS-ID	TA890: ABS-ID TA875: ABS-ID
1156	Line number	C	an..6	N		
4000	Reference version number	C	an..35	N		
Segment Notes:						

**DIRDEB D.96A Direct debit message
Recommendation of Swiss Financial Institutions
for the use of the UN/EDIFACT Message**



SG4	LIN-DTM-RFF-BUS-FCA-SG5-SG6-SG7-SG8-SG9-SG10-SG11				SegGr.Level B	
M 9999	A group of segments containing information regarding the credit side of the transaction and details which are pertinent to all direct debits specified within the group. Certain payment details may be provided either in segment group 4 or in segment group 11, but not in both.					
CH-MIG						
M 9999						
SG5	MOA-CUX-DTM-RFF				SegGr.Level B	
C 1	A group of segments containing the currency of the single amounts on the debit side of the transaction (C level), currency to be collected, plus the total of all single amounts of the debit side of the transaction (C level).					
CH-MIG	<i>This segment group contains the total of all individual amounts to be credited, together with details of any related foreign exchange conversion or contract made seperately. The amount containing in this message group is the amount to be credited to the account quoted in group 6 according to the agreed details. This Segment must always be present.</i>					
R 1						
MOA	MONETARY AMOUNT				Segment No. 19 Segment Level B	
M 1	A segment specifying the total amount and the currency to be collected.					
CH-MIG						
M 1						
UN/EDIFACT Directory				CH - MIG		Comment
Number	Description	M/C	Format	Type	Remarks	
C516	Monetary amount	M		R		
5025	Monetary amount type qualifier	M	an..3	M	* "9" (Amount due/amount payable)	
5004	Monetary amount	C	n..18	R		TA890: TBETR
6345	Currency, coded	C	an..3	R	ISO Currency code (ISO 4217) must be used. For LSV ⁺ only "CHF" and "EUR" accepted.	TA890: WHG

**DIRDEB D.96A Direct debit message
Recommendation of Swiss Financial Institutions
for the use of the UN/EDIFACT Message**



UN/EDIFACT Directory				C H - M I G		Comment
Number	Description	M/C	Format	Type	Remarks	
6343	Currency qualifier	C	an..3	N		
4405	Status, coded	C	an..3	N		

Segment Notes:
The amount of the B-Level MOA (SG5) must be equal to the sum of all C-Level MOA (SG11) contained in the respective B-Level.

**DIRDEB D.96A Direct debit message
Recommendation of Swiss Financial Institutions
for the use of the UN/EDIFACT Message**



SG4	LIN-DTM-RFF-BUS-FCA-SG5-SG6-SG7-SG8-SG9-SG10-SG11				SegGr.Level B	
M 9999	A group of segments containing information regarding the credit side of the transaction and details which are pertinent to all direct debits specified within the group. Certain payment details may be provided either in segment group 4 or in segment group 11, but not in both.					
CH-MIG						
M 9999						
SG6	FII-CTA-COM				SegGr.Level B	
M 1	A group of segments containing the account servicing bank including the account to be credited. If the creditor is not quoted separately in the NAD segment on the credit side of the transaction (B level), then this group also contains the information of the creditor.					
CH-MIG						
M 1						
FII	FINANCIAL INSTITUTION INFORMATION			Segment No. 23	Segment Level B	
M 1	A segment identifying the financial institution and relevant account number associated with the transaction, and their functions.					
CH-MIG						
M 1						
UN/EDIFACT Directory				CH - MIG		Comment
Number	Description	M/C	Format	Type	Remarks	
3035	Party qualifier	M	an..3	M	* "BF" (Beneficiary's bank)	
C078	Account identification	C		R		TA875: KTO-ZE (always an IBAN)
3194	Account holder number	C	an..35	R		
3192	Account holder name	C	an..35	N		
3192	Account holder name	C	an..35	N		
6345	Currency, coded	C	an..3	N		
C088	Institution identification	C		R		

**DIRDEB D.96A Direct debit message
Recommendation of Swiss Financial Institutions
for the use of the UN/EDIFACT Message**



UN/EDIFACT Directory				CH - MIG		Comment
Number	Description	M/C	Format	Type	Remarks	
3433	Institution name identification	C	an..11	N		TA875: BC-ZE
1131	Code list qualifier	C	an..3	N		
3055	Code list responsible agency, coded	C	an..3	N		
3434	Institution branch number	C	an..17	R		
1131	Code list qualifier	C	an..3	R	* "157" (Clearing code)	
3055	Code list responsible agency, coded	C	an..3	R	* "121" (CH, Telekurs AG)	
3432	Institution name	C	an..70	N		
3436	Institution branch place	C	an..70	N		
3207	Country, coded	C	an..3	N		
<u>Segment Notes:</u>						

**DIRDEB D.96A Direct debit message
Recommendation of Swiss Financial Institutions
for the use of the UN/EDIFACT Message**



SG4 M 9999 CH-MIG M 9999	LIN-DTM-RFF-BUS-FCA-SG5-SG6-SG7-SG8-SG9-SG10-SG11 A group of segments containing information regarding the credit side of the transaction and details which are pertinent to all direct debits specified within the group. Certain payment details may be provided either in segment group 4 or in segment group 11, but not in both.	SegGr.Level B				
SG7 C 3 CH-MIG D 3	NAD-CTA-COM A group of segments identifying the creditor. Furthermore, one contact party can also be quoted in this group.	SegGr.Level B				
NAD M 1 CH-MIG M 1	NAME AND ADDRESS A segment identifying name and address of the non-financial institutions associated with the credit side of the transaction (B level).	Segment No. 26 Segment Level B				
UN/EDIFACT Directory				CH - MIG		Comment
Number	Description	M/C	Format	Type	Remarks	
3035	Party qualifier	M	an..3	M	* "BE" (Beneficiary)	
C082	Party identification details	C		D		In case of ESR-Reference Number (REF-FL='A') : TA875: ESR-TN
3039	Party id. identification	M	an..35	M		
1131	Code list qualifier	C	an..3	R	* "25" (Bank identification)	
3055	Code list responsible agency, coded	C	an..3	R	* "100" (CH, Entreprise des PTT)	
C058	Name and address	C		R		

**DIRDEB D.96A Direct debit message
Recommendation of Swiss Financial Institutions
for the use of the UN/EDIFACT Message**

UN/EDIFACT Directory				CH - MIG		Comment
Number	Description	M/C	Format	Type	Remarks	
3124	Name and address line	M	an..35	M		TA875: ADR-ZE line 1
3124	Name and address line	C	an..35	O		TA875: ADR-ZE line 2
3124	Name and address line	C	an..35	O		TA875: ADR-ZE line 3
3124	Name and address line	C	an..35	O		TA875: ADR-ZE line 4
3124	Name and address line	C	an..35	N		
C080	Party name	C		D		TA875: ADR-ZE
3036	Party name	M	an..35	M		
3036	Party name	C	an..35	N		
3036	Party name	C	an..35	N		
3036	Party name	C	an..35	N		
3036	Party name	C	an..35	N		
3045	Party name format, coded	C	an..3	N		
C059	Street	C		D		TA875: ADR-ZE
3042	Street and number/p.o. box	M	an..35	M		
3042	Street and number/p.o. box	C	an..35	N		
3042	Street and number/p.o. box	C	an..35	N		
3042	Street and number/p.o. box	C	an..35	N		
3164	City name	C	an..35	D		TA875: ADR-ZE
3229	Country sub-entity identification	C	an..9	D		TA875: ADR-ZE
3251	Postcode identification	C	an..9	D		TA875: ADR-ZE
3207	Country, coded	C	an..3	D		TA875: ADR-ZE

Segment Notes:

The address information can be provided in following ways

1. NAD/C080/C059/3164/3229/3251/3207 (Structured name and address), at least C080-3036 first line, 3164 and 3251
2. NAD/C058 (Unstructured name and address)

**DIRDEB D.96A Direct debit message
Recommendation of Swiss Financial Institutions
for the use of the UN/EDIFACT Message**



3.4 Segments Level C

SG4 M 9999 CH-MIG M 9999	LIN-DTM-RFF-BUS-FCA-SG5-SG6-SG7-SG8-SG9-SG10-SG11				SegGr.Level B	
A group of segments containing information regarding the credit side of the transaction and details which are pertinent to all direct debits specified within the group. Certain payment details may be provided either in segment group 4 or in segment group 11, but not in both.						
SG11 M 9999 CH-MIG M 9999	SEQ-MOA-DTM-RFF-PAI-FCA-SG12-SG13-SG14-SG15-SG16				SegGr.Level C	
This segment group contains information regarding the debtor(s) of the direct debit. Certain payment details may be provided either in segment group 11 or in segment group 4, but not in both.						
SEQ M 1 CH-MIG M 1	SEQUENCE DETAILS				Segment No. 40 Segment Level C	
A segment identifying the beginning of the debit side of the transaction (C level) by a sequential number, which may also be used for reconciliation purposes.						
UN/EDIFACT Directory				CH - MIG		Comment
Number	Description	M/C	Format	Type	Remarks	
1245	Status indicator, coded	C	an..3	N		
C286 1050	Sequence information Sequence number	C M	an..6	R M	Number for each C-Level. Numbers must be allocated in ascending sequence order within the B-Level without gaps (i.e. the first line is 1, the second line 2, etc.)	TA875: ESEQ For TA890 – ESEQ: the highest TA875 - ESEQ plus 1 will be used
1159	Sequence number source, coded	C	an..3	N		
1131	Code list qualifier	C	an..3	N		
3055	Code list responsible agency, coded	C	an..3	N		
Segment Notes:						

**DIRDEB D.96A Direct debit message
Recommendation of Swiss Financial Institutions
for the use of the UN/EDIFACT Message**



SG4 M 9999 CH-MIG M 9999	LIN-DTM-RFF-BUS-FCA-SG5-SG6-SG7-SG8-SG9-SG10-SG11				SegGr.Level B	
A group of segments containing information regarding the credit side of the transaction and details which are pertinent to all direct debits specified within the group. Certain payment details may be provided either in segment group 4 or in segment group 11, but not in both.						
SG11 M 9999 CH-MIG M 9999	SEQ-MOA-DTM-RFF-PAI-FCA-SG12-SG13-SG14-SG15-SG16				SegGr.Level C	
This segment group contains information regarding the debtor(s) of the direct debit. Certain payment details may be provided either in segment group 11 or in segment group 4, but not in both.						
MOA M 1 CH-MIG M 1	MONETARY AMOUNT				Segment No. 41 Segment Level C	
A segment giving the amount of the direct debit. It is the amount to be collected. The currency is quoted on the credit side of the transaction (B level).						
UN/EDIFACT Directory				CH - MIG		Comment
Number	Description	M/C	Format	Type	Remarks	
C516	Monetary amount	M		M		TA875: BETR TA875: WHG
5025	Monetary amount type qualifier	M	an..3	M	* "9" (Amount due/amount payable)	
5004	Monetary amount	C	n..18	R		
6345	Currency, coded	C	an..3	R		
6343	Currency qualifier	C	an..3	N		
4405	Status, coded	C	an..3	N		
Segment Notes:						
Same qualifier in 5025 is to be used in all debit transactions within the B-level.						

**DIRDEB D.96A Direct debit message
Recommendation of Swiss Financial Institutions
for the use of the UN/EDIFACT Message**



SG4 M 9999 CH-MIG M 9999	LIN-DTM-RFF-BUS-FCA-SG5-SG6-SG7-SG8-SG9-SG10-SG11				SegGr.Level B	
A group of segments containing information regarding the credit side of the transaction and details which are pertinent to all direct debits specified within the group. Certain payment details may be provided either in segment group 4 or in segment group 11, but not in both.						
SG11 M 9999 CH-MIG M 9999	SEQ-MOA-DTM-RFF-PAI-FCA-SG12-SG13-SG14-SG15-SG16				SegGr.Level C	
This segment group contains information regarding the debtor(s) of the direct debit. Certain payment details may be provided either in segment group 11 or in segment group 4, but not in both.						
RFF C 3 CH-MIG R 3	REFERENCE				Segment No. 43 Segment Level C	
A segment identifying a transaction from the creditor to the debtor and/or from the creditor to the creditor's bank.						
UN/EDIFACT Directory				CH - MIG		Comment
Number	Description	M/C	Format	Type	Remarks	
C506	Reference	M		M		TA875: LSV-ID
1153	Reference qualifier	M	an..3	M	*R "CR" (Customer reference number) *R "AKJ" (Direct Debit reference)	
1154	Reference number	C	an..35	R	In case of "CR" Reference number to be used in the BANSTA to reference this C-Level In case of "AKJ" TA875: LSV-ID	
1156	Line number	C	an..6	N		
4000	Reference version number	C	an..35	N		
Segment Notes:						

**DIRDEB D.96A Direct debit message
Recommendation of Swiss Financial Institutions
for the use of the UN/EDIFACT Message**



SG4 M 9999 CH-MIG M 9999	LIN-DTM-RFF-BUS-FCA-SG5-SG6-SG7-SG8-SG9-SG10-SG11 A group of segments containing information regarding the credit side of the transaction and details which are pertinent to all direct debits specified within the group. Certain payment details may be provided either in segment group 4 or in segment group 11, but not in both.	SegGr.Level B				
SG11 M 9999 CH-MIG M 9999	SEQ-MOA-DTM-RFF-PAI-FCA-SG12-SG13-SG14-SG15-SG16 This segment group contains information regarding the debtor(s) of the direct debit. Certain payment details may be provided either in segment group 11 or in segment group 4, but not in both.	SegGr.Level C				
SG12 C 3 CH-MIG M 3	FII-CTA-COM A group of segments containing the debtor's bank and the account and if necessary up to two intermediary banks.	SegGr.Level C				
FII M 1 CH-MIG M 1	FINANCIAL INSTITUTION INFORMATION A segment identifying the financial institution / Swiss Post and relevant account number associated with the transaction, and their functions.	Segment No. 46 Segment Level C				
UN/EDIFACT Directory				CH - MIG		Comment
Number	Description	M/C	Format	Type	Remarks	
3035	Party qualifier	M	an..3	M	* "PH" (Payer's financial institution)	
C078	Account identification	C		R		TA875: KTO-ZP
3194	Account holder number	C	an..35	R		
3192	Account holder name	C	an..35	N		

**DIRDEB D.96A Direct debit message
Recommendation of Swiss Financial Institutions
for the use of the UN/EDIFACT Message**



UN/EDIFACT Directory				CH - MIG		Comment
Number	Description	M/C	Format	Type	Remarks	
3192	Account holder name	C	an..35	N		
6345	Currency, coded	C	an..3	N		
C088	Institution identification	C		R		TA875: BC-ZP
3433	Institution name identification	C	an..11	N		
1131	Code list qualifier	C	an..3	N		
3055	Code list responsible agency, coded	C	an..3	N		
3434	Institution branch number	C	an..17	R		
1131	Code list qualifier	C	an..3	R	* "157" (Clearing code)	
3055	Code list responsible agency, coded	C	an..3	R	* "121" (CH, Telekurs AG)	
3432	Institution name	C	an..70	N		
3436	Institution branch place	C	an..70	N		
3207	Country, coded	C	an..3	N		
Segment Notes:						

**DIRDEB D.96A Direct debit message
Recommendation of Swiss Financial Institutions
for the use of the UN/EDIFACT Message**



SG4 M 9999 CH-MIG M 9999	LIN-DTM-RFF-BUS-FCA-SG5-SG6-SG7-SG8-SG9-SG10-SG11 A group of segments containing information regarding the credit side of the transaction and details which are pertinent to all direct debits specified within the group. Certain payment details may be provided either in segment group 4 or in segment group 11, but not in both.	SegGr.Level B				
SG11 M 9999 CH-MIG M 9999	SEQ-MOA-DTM-RFF-PAI-FCA-SG12-SG13-SG14-SG15-SG16 This segment group contains information regarding the debtor(s) of the direct debit. Certain payment details may be provided either in segment group 11 or in segment group 4, but not in both.	SegGr.Level C				
SG13 C 3 CH-MIG D 3	NAD-CTA-COM A group of segments identifying the name and address of the debtor and one contact party.	SegGr.Level C				
NAD M 1 CH-MIG M 1	NAME AND ADDRESS A segment identifying names and addresses of the non-financial institutions associated with the direct debit on the debtor's side.	Segment No. 49 Segment Level C				
UN/EDIFACT Directory						
CH - MIG						
Number	Description	M/C	Format	Type	Remarks	Comment
3035	Party qualifier	M	an..3	M	* "PL" (Payor)	
C082	Party identification details	C		N		
3039	Party id. identification	M	an..35			
1131	Code list qualifier	C	an..3			

**DIRDEB D.96A Direct debit message
Recommendation of Swiss Financial Institutions
for the use of the UN/EDIFACT Message**

UN/EDIFACT Directory				CH - MIG		Comment
Number	Description	M/C	Format	Type	Remarks	
3055	Code list responsible agency, coded	C	an..3	N		
C058	Name and address	C		R		
3124	Name and address line	M	an..35	M		TA875 : ADR-ZP line 1
3124	Name and address line	C	an..35	O		TA875 : ADR-ZP line 2
3124	Name and address line	C	an..35	O		TA875 : ADR-ZP line 3
3124	Name and address line	C	an..35	O		TA875 : ADR-ZP line 4
3124	Name and address line	C	an..35	N		
C080	Party name	C		D		
3036	Party name	M	an..35	M		TA875 : ADR-ZP
3036	Party name	C	an..35	N		
3036	Party name	C	an..35	N		
3036	Party name	C	an..35	N		
3036	Party name	C	an..35	N		
3045	Party name format, coded	C	an..3	N		
C059	Street	C		D		
3042	Street and number/p.o. box	M	an..35	M		TA875 : ADR-ZP
3042	Street and number/p.o. box	C	an..35	N		
3042	Street and number/p.o. box	C	an..35	N		
3042	Street and number/p.o. box	C	an..35	N		
3164	City name	C	an..35	D		TA875 : ADR-ZP
3229	Country sub-entity identification	C	an..9	D		TA875 : ADR-ZP
3251	Postcode identification	C	an..9	D		TA875 : ADR-ZP

**DIRDEB D.96A Direct debit message
Recommendation of Swiss Financial Institutions
for the use of the UN/EDIFACT Message**



UN/EDIFACT Directory				CH - MIG		Comment
Number	Description	M/C	Format	Type	Remarks	
3207	Country, coded	C	an..3	D		TA875 : ADR-ZP

Segment Notes:

The address information can be provided in following ways (see also General Information Guidelines):

1. NAD/C080/C059/3164/3229/3251/3207 (Structured name and address), at least C080-3036 first line, 3164 and 3251
2. NAD/C058 (Unstructured name and address)

**DIRDEB D.96A Direct debit message
Recommendation of Swiss Financial Institutions
for the use of the UN/EDIFACT Message**



SG4 M 9999 CH-MIG M 9999	LIN-DTM-RFF-BUS-FCA-SG5-SG6-SG7-SG8-SG9-SG10-SG11 A group of segments containing information regarding the credit side of the transaction and details which are pertinent to all direct debits specified within the group. Certain payment details may be provided either in segment group 4 or in segment group 11, but not in both.	SegGr.Level B				
SG11 M 9999 CH-MIG M 9999	SEQ-MOA-DTM-RFF-PAI-FCA-SG12-SG13-SG14-SG15-SG16 This segment group contains information regarding the debtor(s) of the direct debit. Certain payment details may be provided either in segment group 11 or in segment group 4, but not in both.	SegGr.Level C				
SG16 C 1 CH-MIG D 1	PRC-FTX-SG17-SG23 A group of segments containing the details of the direct debit. The content of these segments is passed through the banking chain from the creditor to the debtor. <i>This segment group is mutually exclusive with SG10.</i>	SegGr.Level C				
PRC M 1 CH-MIG M 1	PROCESS IDENTIFICATION A segment identifying the kind of processing at the debtor's side.	Segment No. 61 Segment Level C				
UN/EDIFACT Directory			CH - MIG		Comment	
Number	Description	M/C	Format	Type		Remarks
C242 7187	Process type and description Process type identification	M M	an..17	M M	*R "10" (Processing of different information in structured and unstructured form)	
1131	Code list qualifier	C	an..3	N		

**DIRDEB D.96A Direct debit message
 Recommendation of Swiss Financial Institutions
 for the use of the UN/EDIFACT Message**



UN/EDIFACT Directory				CH - MIG		Comment
Number	Description	M/C	Format	Type	Remarks	
3055	Code list responsible agency, coded	C	an..3	N		
7186	Process type	C	an..35	N		
7186	Process type	C	an..35	N		
<u>Segment Notes:</u>						

DIRDEB D.96A Direct debit message
Recommendation of Swiss Financial Institutions
for the use of the UN/EDIFACT Message



SG4 M 9999 CH-MIG M 9999	LIN-DTM-RFF-BUS-FCA-SG5-SG6-SG7-SG8-SG9-SG10-SG11 A group of segments containing information regarding the credit side of the transaction and details which are pertinent to all direct debits specified within the group. Certain payment details may be provided either in segment group 4 or in segment group 11, but not in both.	SegGr.Level B				
SG11 M 9999 CH-MIG M 9999	SEQ-MOA-DTM-RFF-PAI-FCA-SG12-SG13-SG14-SG15-SG16 This segment group contains information regarding the debtor(s) of the direct debit. Certain payment details may be provided either in segment group 11 or in segment group 4, but not in both.	SegGr.Level C				
SG16 C 1 CH-MIG D 1	PRC-FTX-SG17-SG23 A group of segments containing the details of the direct debit. The content of these segments is passed through the banking chain from the creditor to the debtor. <i>This segment group is mutually exclusive with SG10.</i>	SegGr.Level C				
FTX C 5 CH-MIG D 5	FREE TEXT A segment providing free text instruction(s) relating to the direct debit details.	Segment No. 62 Segment Level C				
UN/EDIFACT Directory				CH - MIG		Comment
Number	Description	M/C	Format	Type	Remarks	
4451	Text subject qualifier	M	an..3	M	* "PMD" (Payment detail/remittance information)	
4453	Text function, coded	C	an..3	N		
C107	Text reference	C		N		
4441	Free text, coded	M	an..3			
1131	Code list qualifier	C	an..3			
3055	Code list responsible agency, coded	C	an..3			
C108	Text literal	C		R	For LSV ⁺ maximally 4 * an..35 characters to be used.	
4440	Free text	M	an..70	M		TA875: MIT-ZP line 1 (max 35 characters)

DIRDEB D.96A Direct debit message
Recommendation of Swiss Financial Institutions
for the use of the UN/EDIFACT Message



UN/EDIFACT Directory				CH - MIG		Comment
Number	Description	M/C	Format	Type	Remarks	
4440	Free text	C	an..70	O		TA875: MIT-ZP line 2 (max 35 characters)
4440	Free text	C	an..70	O		TA875: MIT-ZP line 3 (max 35 characters)
4440	Free text	C	an..70	O		TA875: MIT-ZP line 4 (max 35 characters)
4440	Free text	C	an..70	N		
3453	Language, coded	C	an..3	N		
Segment Notes:						

**DIRDEB D.96A Direct debit message
Recommendation of Swiss Financial Institutions
for the use of the UN/EDIFACT Message**



SG4 M 9999 CH-MIG M 9999	LIN-DTM-RFF-BUS-FCA-SG5-SG6-SG7-SG8-SG9-SG10-SG11 A group of segments containing information regarding the credit side of the transaction and details which are pertinent to all direct debits specified within the group. Certain payment details may be provided either in segment group 4 or in segment group 11, but not in both.	SegGr.Level B				
SG11 M 9999 CH-MIG M 9999	SEQ-MOA-DTM-RFF-PAI-FCA-SG12-SG13-SG14-SG15-SG16 This segment group contains information regarding the debtor(s) of the direct debit. Certain payment details may be provided either in segment group 11 or in segment group 4, but not in both.	SegGr.Level C				
SG16 C 1 CH-MIG D 1	PRC-FTX-SG17-SG23 A group of segments containing the details of the direct debit. The content of these segments is passed through the banking chain from the creditor to the debtor. <i>This segment group is mutually exclusive with SG10.</i>	SegGr.Level C				
SG17 C 9999 CH-MIG C 9999	DOC-MOA-DM-RFF-NAD-SG18-SG19-SG20 A group of segments providing details of all documents e.g., invoices, statements, despatch advices, etc., to which the direct debit refers. It includes information on the monetary amounts for each document and on any adjustments (with an indication of the reason for adjustments) and discounts. For information purposes an indication of the tax element can be provided.	SegGr.Level C				
DOC C 9999 CH-MIG R 1	DOCUMENT / MESSAGE DETAILS A segment identifying the reference document against which payment is being made.	Segment No. 63 Segment Level C				
UN/EDIFACT Directory				CH - MIG		Comment
Number	Description	M/C	Format	Type	Remarks	
C002 1001	DOCUMENT/MESSAGE NAME Document/message name, coded	M C	an..3	M R	Depending on the type of reference flag * "ESR" * "IPI"	TA875: REF-FL A = "ESR" B = "IPI"
1131	Code list qualifier	C	an..3	R	* "ZZZ" (Mutually defined)	

**DIRDEB D.96A Direct debit message
Recommendation of Swiss Financial Institutions
for the use of the UN/EDIFACT Message**

UN/EDIFACT Directory				CH - MIG		Comment
Number	Description	M/C	Format	Type	Remarks	
3055	Code list responsible agency, coded	C	an..3	R	In case of IPI * "121" (CH, Telekurs AG) In case of BESR/ESR: * "100" (CH, Enterprise des PTT)	
1000	Document/message name	C	an..35	D		In case of TA875 REF-FL = A (ESR) : TA875: REF-NR
C503	DOCUMENT/MESSAGE DETAILS	C		D		
1004	Document/message number	C	an..35	D		In case of TA875 REF-FL = B (IPI): TA875: REF-NR
1373	Document/message status, coded	C	an..3	N		
1366	Document/message source	C	an..35	N		
3453	Language, coded	C	an..3	N		
3153	COMMUNICATION CHANNEL IDENTIFIER, CODED	C	an..3	N		
1220	NUMBER OF COPIES OF DOCUMENT REQUIRED	C	n..2	N		
1218	NUMBER OF ORIGINALS OF DOCUMENT REQUIRED	C	n..2	N		
Segment Notes:						

**DIRDEB D.96A Direct debit message
Recommendation of Swiss Financial Institutions
for the use of the UN/EDIFACT Message**

3.5 Segments Level A (second part)

CNT		CONTROL TOTAL				Segment No. 86	Segment Level A
C	5	A segment providing information on control totals.					
CH-MIG							
O	5						
UN/EDIFACT Directory				CH - MIG		Comment	
Number	Description	M/C	Format	Type	Remarks		
C270	Control	M		M			
6069	Control qualifier	M	an..3	M	* "2" (Total number line items) (LIN-segments) preferred * "39" (Total number of individual transactions)		
6066	Control value	M	n..18	M			
6411	Measure unit qualifier	C	an..3	N			
Segment Notes:							

**DIRDEB D.96A Direct debit message
Recommendation of Swiss Financial Institutions
for the use of the UN/EDIFACT Message**



SG24		AUT-DTM			SegGr.Level A
C	5	A group of segments specifying details of any authentication (validation) procedures applied to the DIRDEB message.			
CH-MIG		<i>The segment group 24 (AUT and DTM) is not used when the digital signature is used. In case of digital signature the security header and trailer segments are used.</i>			
D	1				
AUT		AUTHENTICATION RESULT			Segment No. 87
M	1	A segment specifying the details of any authentication (validation) procedures applied to the DIRDEB message.			
CH-MIG					
M	1				
UN/EDIFACT Directory				CH - MIG	
Number	Description	M/C	Format	Type	Remarks
9280	Validation result	M	an..35	M	
9282	Validation key identification	C	an..35	R	
Segment Notes:					

DIRDEB D.96A Direct debit message
Recommendation of Swiss Financial Institutions
for the use of the UN/EDIFACT Message

SG24		AUT-DTM			SegGr.Level A	
C	5	A group of segments specifying details of any authentication (validation) procedures applied to the DIRDEB message.				
CH-MIG		<i>The segment group 24 (AUT and DTM) is not used when the digital signature is used. In case of digital signature the security header and trailer segments are used.</i>				
D	1					
DTM		DATE/TIME/PERIOD			Segment No. 88 Segment Level A	
C	1	A segment identifying the validation date/time.				
CH-MIG						
R	1					
UN/EDIFACT Directory				CH - MIG		Comment
Number	Description	M/C	Format	Type	Remarks	
C507	Date/time/period	M		M		
2005	Date/time/period qualifier	M	an..3	M	* "218" (Authentication/validation date/time)	
2380	Date/time/period	C	an..35	R		
2379	Date/time/period format qualifier	C	an..3	R	* "101" (YYMMDD) * "102" (CCYYMMDD) = preferred version * "203" (CCYYMMDDHHMM)	
Segment Notes:						

**DIRDEB D.96A Direct debit message
Recommendation of Swiss Financial Institutions
for the use of the UN/EDIFACT Message**



UNT	MESSAGE TRAILER					Segment No. 89	Segment Level A
M 1	A service segment ending a message, giving the total number of segments in the message and the control reference number of the message.						
CH-MIG							
M 1							
UN/EDIFACT Directory				CH - MIG		Comment	
Number	Description	M/C	Format	Type	Remarks		
0074	Number of segments in a message	M	n..6	M	The total number of segments in the message.		
0062	Message reference number	M	an..14	M	Same Reference as quoted in UNH/0062.		
Segment Notes:							

**DIRDEB D.96A Direct debit message
Recommendation of Swiss Financial Institutions
for the use of the UN/EDIFACT Message**

4 EXAMPLE

Interchange Header

Message Header/A-Level, part1

B-Level 1, Total credit side

C-Level 1, Single debit side

C-Level 2, Single debit side

B-Level 2, Total credit side

C-Level 1, Single debit side

C-Level 2, Single debit side

Message Trailer/A-Level, part 2

Interchange Trailer

Seg. No.	UN/EDIFACT-String	Comment
1.	UNA:+?	
2.	UNB+UNOA:2+SENDER:ZZ+RECEIVER:ZZ+060115:1159+1'	Interchange Header
3.	UNH+1+DIRDEB:D:96A:UN:LSV-00'	Message Header/A-Level, part1
4.	BGM+214+DD-20060115-01+9+AB'	
5.	DTM+137:20060115:102'	
6.	LIN+1'	B-Level 1, Total credit side
7.	DTM+203:20060125:102'	
8.	RFF+AEK:DD-060115-001-00'	
9.	RFF+CT:ABCD1'	
10.	MOA+9:500:CHF'	
11.	FII+BF+CH110023023012345600K+:::0230:157:121'	
12.	NAD+BE+010001456++COLLECTION AG+STREET+CITY++5000+CH'	
13.	SEQ++1'	B-Level 1, C-Level 1, Single debit side
14.	MOA+9:200:CHF'	
15.	RFF+CR:DD-060115-001-01'	
16.	RFF+AKJ:ABCD1'	
17.	FII+PH+987654XYZ+:::700:157:121'	
18.	NAD+PL+++CUSTOMER 1+STREET+CITY++9999+CH'	
19.	PRC+10'	

**DIRDEB D.96A Direct debit message
Recommendation of Swiss Financial Institutions
for the use of the UN/EDIFACT Message**

Seg. No.	UN/EDIFACT-String	Comment
20.	FTX+PMD+++INTERESTS FOR LOAN, FEBRUARY 2006'	
21.	DOC+ESR:ZZZ:100:70010100000000000111111115'	
22.	SEQ++2'	B-Level 1, C-Level 2, Single debit side
23.	MOA+9:300:CHF'	
24.	RFF+CR:DD-060115-001-02'	
25.	RFF+AKJ:ABCD1'	
26.	FII+PH+111222QAY+:::88888:157:121'	
27.	NAD+PL++CUSTOMER 2:STREET:9999 CITY++++CH'	
28.	PRC+10'	
29.	FTX+PMD+++YOUR ORDER DD 20051215 REF ABC111'	
30.	DOC+ESR:ZZZ:100:70010200000000000111111116'	
31.	LIN+2'	B-Level 2, Total credit side
32.	DTM+203:20060126:102'	
33.	RFF+AEK:DD-20060115-002-00'	
34.	RFF+CT:ABCD2'	
35.	MOA+9:200:EUR'	
36.	FII+BF+CH370021621698765400T+:::00216:157:121'	
37.	NAD+BE+++COLLECTION AG+STREET+PLACE++5000+CH'	
38.	SEQ++1'	B-Level 2, C-Level 1, Single debit side
39.	MOA+9:100:EUR'	
40.	RFF+CR:DD-060115-002-01'	
41.	RFF+AKJ:ABCD2'	
42.	FII+PH+ABC-555444+:::4835:157:121'	
43.	NAD+PL+++CUSTOMER 3+STREET+CITY++9999+CH'	
44.	PRC+10'	
45.	FTX+PMD+++SUBSCRIPTION FEBRUARY 2006'	
46.	DOC+IPI:ZZZ:121+52000005678123489012'	
47.	SEQ++2'	B-Level 2, C-Level 2, Single debit side
48.	MOA+9:100:EUR'	
49.	RFF+CR:DD-060115-002-02'	
50.	RFF+AKJ:ABCD2'	

**DIRDEB D.96A Direct debit message
Recommendation of Swiss Financial Institutions
for the use of the UN/EDIFACT Message**

Seg. No.	UN/EDIFACT-String	Comment
51.	FII+PH+111222QAY+:::04444:157:121'	
52.	NAD+PL+++CUSTOMER 4+STREET+CITY++9999+CH'	
53.	PRC+10'	
54.	FTX+PMD+++ YOUR ORDER DD 20051215 REF ABC222'	
55.	DOC+IPI:ZZZ:121+94052000005678123489'	
56.	CNT+2'	
57.	UNT+55+1'	Message Trailer/A-Level, part 2
59.	UNZ+1+1'	Interchange Trailer

5 HISTORY OF CHANGES

5.1 History of changes

This DIRDEB for LSV⁺ MIG, version 1.0 from 26.01.2006 is the first Version for the scope of the Swiss Direct Debit Service LSV⁺.